

# AGRIWELD

## Operator Manual

### Fixedshift



Agriweld Ltd  
Main Street  
Garton-on-the-Wolds  
Driffield  
YO25 3ET

## Contents

<b>Page 3</b>	User Information & Product Technical Information
<b>Page 4</b>	Designated Use of Product, Capacity & General Safety
<b>Page 5-6</b>	Qualifications & Training, Further Safety & Special safety instructions
<b>Page 7-8</b>	Storage & Safety, connecting to your Telehandler & Connecting an Implement to your Fixed Shift
<b>Page 9-12</b>	Fixed Shift Main Assembly, Moving Top/Lower Link & Parts List
<b>Page 13-14</b>	Important Maintenance & Pre-use Checks & Storage
<b>Page 15-17</b>	Risk Assessment
<b>Page 18</b>	Manufacturer's Warranty
<b>Page 19</b>	Stickers
<b>Page 20</b>	Declaration of Conformity
<b>Page 21</b>	Your Notes

### USER INFORMATION

This manual contains basic advice, which should be observed during setting-up, operation and maintenance. It must be read by all personnel who may operate this product prior to use and be available at all times to each potential operator.

If safety instructions are not complied with, it can lead to the risk of injury to yourself and others as well as damage to the environment or to the product. Non-compliance to the safety instructions can also lead to claims for damages becoming invalid.

The specifications, descriptions and illustrations in this manual are accurate at the time of publication but may be subject to change.

This product is not to be used for any other purpose than for which it is intended – that is stated in this manual. Damage and injury caused as a result of incorrect usage is at your own risk.

### Product Technical Information

If relevant:

WEIGHT	200KG
LLC – Calculated from center of lifting hook to rear of frame. <i>Note that there is an additional calculation required to include distance from rear of frame to center of bracket mount which varies between bracket types.</i>	430mm + Please also add distance in mm from rear of frame to center of bracket mount
MAX CAPACITY	5000KG

**This information is shown on your product's serial plate.**

**This information is approximate and will vary depending on product options/mounting brackets.**

### New equipment - be careful!

It is very important to be careful when new equipment is going to be used for the first time. Incorrect mounting of equipment and operational errors can lead to expensive repair work and operational losses.

Your warranty with Agriweld is not valid if the instructions in this operating manual are not followed correctly.

## **Designated Use of this Product**

The Agriweld Fixedshift is designed to be used a 3-point linkage for your loader/handler with adjustable lower link arms and adjustable top link, to safely and securely assist in moving, performing maintenance or changing wearing parts on all 3 point linkage equipment. It can also be used to attach and use other products that require 'fixed attachment' for use such as a post knocker.

The Fixedshift forklift/loader attachment consists of an adjustable top link, left and right lower hooks, a main frame and relevant bracketing to fit your forklift or loader.

## **CAPACITY – IMPORTANT INFORMATION**

The FIXEDSHIFT has been load tested and certified with a maximum safe working load (SWL) of 5 Tonnes\* (5000kgs)

**\*When fitted to a handler with a lift capacity less than 5 tonnes (5000kgs) the max capacity of the Fixedshift is duly reduced to that of the telehandler's max capacity.**

For example, fitted to a 3 – tonne (3000kg) telehandler, the FIXEDSHIFTS capacity is also reduced to 3 – tonnes (3000kgs).

**LOWERING ATTACHMENTS SAFELY:** Please ensure that you do not lower any attachment mounted to the Fixed shift heavily to the ground as the maximum permissible upwards force on the retaining clip within the Walterscheid hooks has a much lower rating than the overall capacity of the unit and damage is likely to occur. Damage of this nature is not covered under your manufacturer's warranty.

## **GENERAL SAFETY**

This manual must be provided to all persons concerned who will be involved with the setting up, operation, maintenance, and use of the forklift/loader and Fixed shift. It must be always available. Online copies of the operator manual are also available on our website or can be sent via email if requested.

If important safety instructions are not complied with, it can lead to the risk of injury to yourself and others as well as damage to property and the environment.

**NON-COMPLIANCE WITH SAFETY INSTRUCTIONS CAN LEAD TO WARRANTY CLAIMS BECOMING INVALID.**

## **QUALIFICATIONS AND TRAINING**

Only personnel with the appropriate forklift/loader licence are authorised to use this machine.

Statutory minimum age limits must be observed, and reliable personnel only should perform maintenance/work on this machine.

Persons undergoing training or instruction or taking part in a general training course should only use this machine under direct supervision of an **experienced\*** and trained person.

The use of spare parts, accessories and ancillary equipment not supplied or approved by Agriweld, could have detrimental effects to the construction or functions of the Fixed shift. Agriweld shall not be responsible for any damage caused by the use of spare parts or accessories and ancillary equipment not supplied or approved by Agriweld.

The operator must be aware of their responsibilities with regard to observing traffic regulations. The operator must have the authority to refuse instructions issued by third parties which contravene safety.

The operator should only operate what he/she is trained and experienced to do. If you are not confident, assistance should be sought from a suitably qualified person before using the Fixedshift and its attachments. Untrained and non-confident operators should be supervised by an **\*experienced** operator until it is deemed safe to use on their own.

The driving characteristics of the forklift/loader are influenced and altered by the attachment of mounted machines, and it is important to ensure adequate steering and braking ability as required.

Any conversions or modifications to the machine may only be carried out after prior consultation and written confirmation from Agriweld.

**PLEASE NOTE: All forklifts and lifting equipment are subject to LOLER inspection/report within 12 months of service from new, by reputable engineers and records kept and maintained.**

***\*Experienced personnel are classed as those persons with appropriate engineering knowledge and training from an approved provider, supplemented with experience of working with this type of activity.***

### **FURTHER SAFETY**

Any warning signs/instructions on the machine provide important information and must be observed.

Ensure that you are familiar with the equipment, controls and functions of the forklift or loader and Fixed shift before starting work.

Check round the machine for any noticeable damage, or missing parts before starting work.

It is advisable that the operator wears close fitting clothing to avoid the risk of snagging and trapping.

Ensure that you watch out for wandering individuals (particularly children!).

Remember to take into account the size of any attachments being moved and be aware of the sideways forces acting on the machine when turning and negotiating corners. Always ensure adequate all-round visibility.

### **SPECIAL SAFETY INSTRUCTIONS**

Take extra care when hitching up or un-hitching the Fixedshift to/from the forklift or loader. Be aware of what is under the Fixedshift and its load (such as your feet) before dropping off. Please also see note regarding lowering attachments safely.

Ensure that the forklift or loaders hydraulic system is in full working order.

Never allow any person to stand between the forklift or loader and the Fixedshift during connection or at any time unless the forklift or loader is secured against rolling away by use of a parking brake and/or wheel chocks.

It is forbidden to allow any persons to ride or sit on the Fixedshift and its load at any time. Observers should maintain a safe distance when machine is in use.

When performing any adjustments to the Fixedshift, the forklift or loader's engine must be switched off to prevent the loader and its hydraulic system being operated accidentally.

**NEVER walk or work under a suspended load. Always take measures to support the machine and its load to prevent crushing and/or death. Do not rely on the forklift/loader and Fixedshift alone if you are working under a suspended load. Always use supports for example trestles or a frame capable of taking the load.**

### **STORAGE AND SAFETY WHEN NOT IN USE**

The Fixedshift will stand on its own when not mounted, unless forced over by external sources.

Always detach any attachments from the Fixedshift when you have finishing using them and store unused attachments in a safe area so not to cause obstruction or hazard elsewhere, damage to property or injury to individuals and by ensuring that the storage area is easily accessible for next use.

If you need to keep the Fixedshift mounted to the forklift/loader in between use, it is important to ensure the Fixedshift is lowered to ground level, the vehicle has the hand brake/equivalent secured, the loader engine is turned off and vehicle is locked.

### **CONNECTING TO YOUR TELEHANDLER**

Please note that this is generalised information and connection may vary depending on the type of headstock/brackets fitted. Operators should use their own judgement and experience when hitching/un-hitching the Fixedshift.

Attachment to a counterbalance truck is not currently advisable.

### **CONNECTION TO TELEHANDLER VIA QUICK-HITCH BRACKETING**

Tilt loader headstock slightly forwards and drive in slowly to locate handlers top headstock mounting point into Fixedshift corresponding top bracket mounting point carefully crowd loader headstock back slightly to align the lower Fixedshift bracket mounting point with the corresponding bracket on the handlers headstock and secure with the relevant locking pins.

Any warning signs/instructions on the machine provide important information and must be observed.

Ensure that you are familiar with the equipment, controls and functions of the forklift or loader and Fixedshift before starting work.

### **CONNECTING AN IMPLEMENT TO THE FIXEDSHIFT**

Attach the lower link balls (provided with the Fixedshift) into the implements lower link points and secure with the pin.

Drive slowly towards the implement with the loader and Fixedshift attached and locate the lower link hooks to the equipment's lower link balls. The hooks will 'snap' into position when correctly located.

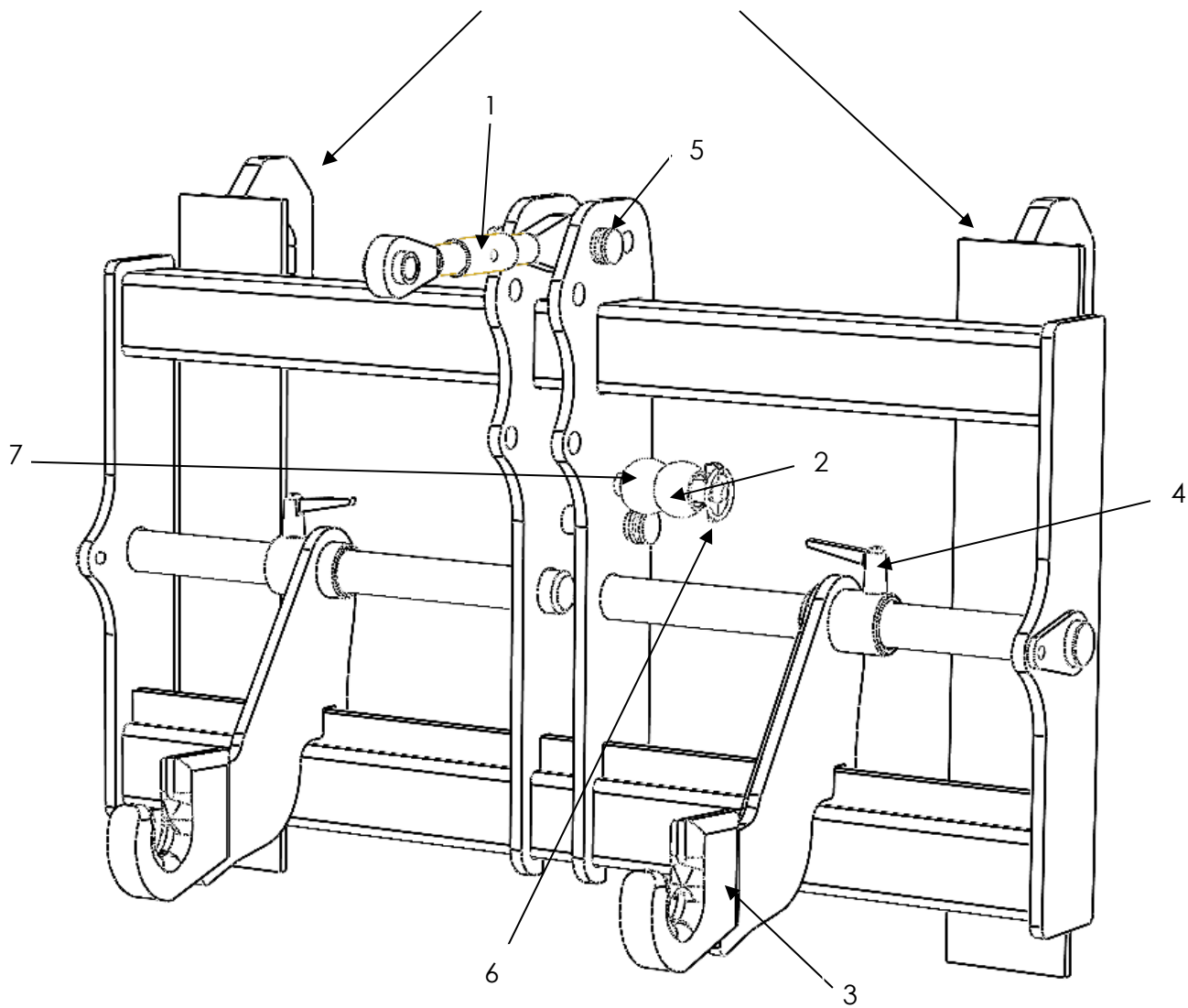
Stop loader, apply handbrake and get out of the loader cab and attach the Fixedshift adjustable top link to implements top link point using the implements top link pin.

Top link adjustment may be required if the attached implements position is needed to be altered. To do this turn the top link handle clockwise or anticlockwise until it reaches correct position.

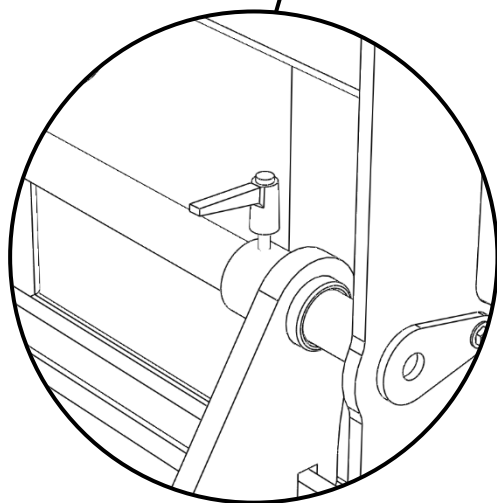
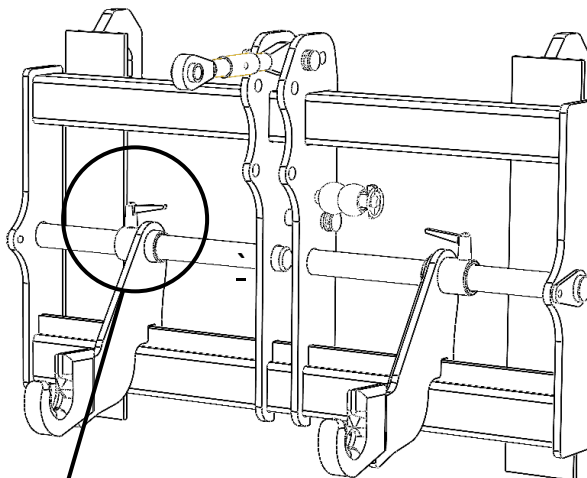


**ASSEMBLY**

**Brackets (Example for illustration)**

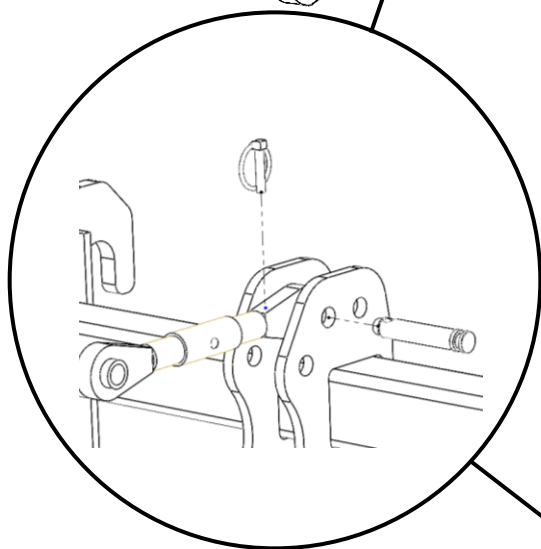
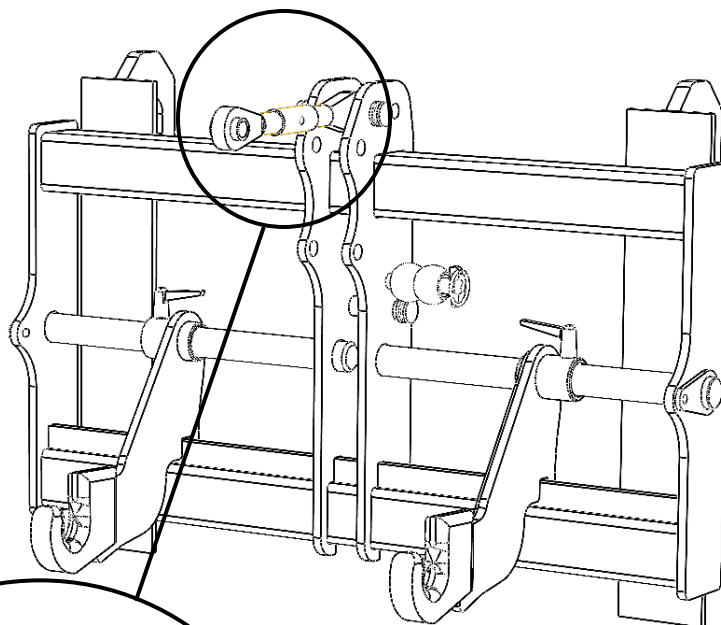


### **Adjustable Lower Link Unit**

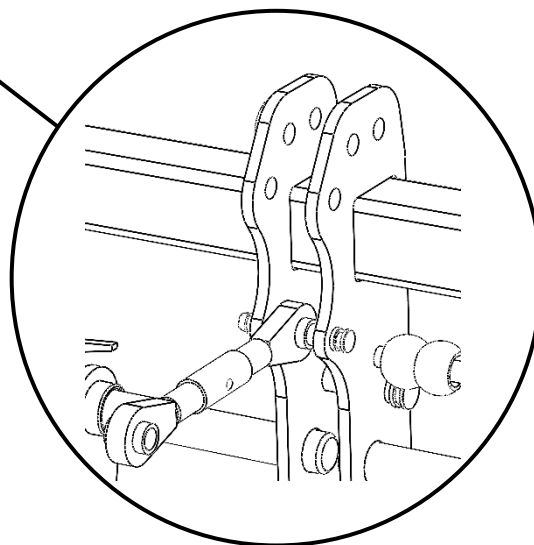


To adjust width of lower link hooks (3), turn the lower link unit locking handle (4). Once loose the lower link will slide freely along the frame in horizontal axis. When the desired position is reached, re-tighten the locking handle to ensure the lower link unit is fixed and cannot move during use.

### Adjustable Top Link



To Change the position of the Top Link (1), Remove the pin (5) from the current position while supporting the top link and re-insert it into hole at desired new position. Replace pin to lock the top link in place as illustrated.



**PARTS LIST**

<b>Item Number</b>	<b>Part Number</b>	<b>Description</b>	<b>Quantity per Machine</b>
1	Gwaza37	Top Link	1
2	-	Spherical Ball Storage Point	1
3	K-1208556	CAT 3 Weld on lower hook	2
4	KS460556	Bottom Link Unit Locking Handle	1
5	Z325105KR	Pin	2
6	LP11Z	Linch Pin	1
7	K-LA964370GP	CAT 3 lower link ball	2

### **IMPORTANT MAINTENANCE & SAFETY**

It is important to check the main lifting hook, Cat 3 hook arms (Walterscheid hooks) and pins for wear and ensure that none show significant signs of wear or damage.

Before use, always check round the Fixedshift to ensure no damage has occurred and that the machine appears safe to use.

Keep the FIXEDSHIFT clean at all times to ensure easy visual inspection.

Ensure that the handler is in full working order and that the FIXEDSHIFT is attached to the handler correctly before starting work.

Do not use the Fixedshift and any attachments if any parts/pins are missing/faulty or worn until recitified/replaced.

For safety, routine maintenance and safety checks of the Fixedshift does not require the operator to climb/stand on the machine at any time.

Do not overload the handler and Fixedshift, refer to capacity earlier in this manual for details. Only use the Fixedshift for its intended purpose.

**The Fixedshift is subject to L.O.L.E.R inspections annually.**

#### **Acquiring spare parts**

Please quote the details on the type plate(s) as well as the machine's serial no. on every order for spare parts or accessories, or enquiries of a technical nature.

*The use of spare parts supplied by others shall only be permitted after consultation with the manufacturer. Original spare parts and accessories authorised by the manufacturer ensure safe and reliable operation. The use of other parts may invalidate the liability of the manufacturer for any consequences arising from such use.*

#### **Disposing of replaced parts**

The following points should be observed before replacing or disposing of parts.

- Replaced parts, which still function, should be cleaned and stored in an orderly manner.
- Machine parts, which cannot be repaired should only be disposed of at appropriate collecting points or be collected by a scrap metal dealer.
- So-called "valuable" materials should be disposed of in a proper way, i.e. plastics, rubber, scrap metal, etc. should be recycled.

- Collect and dispose of old oil in accordance with the current regulations.

### **Pre-use checks & storage**

Before operational use, it is important to inspect the handler and attachment with the recommended pre-use checks to prevent damage or danger.

- Check all mounting/securing pins are present and do not appear to be worn or missing. Replace as required.
- Physically check all nuts and bolts or other fixings are present and tight. Do not use if any are missing or broken.
- Visually check welds for cracks - this can compromise the strength and operational use of the attachment and may pose a health and safety risk.
- If relevant, check round all hydraulic hose and connections for leaks and damaged hydraulic pipe. Replace as required. Do not attempt to repair hydraulic hose.
- Check for any potential damage to the serial plate as this helps to identify the attachment, its origin of manufacture and will be required to order spare parts if needed.

## FIXED SHIFT Risk Assessment

Next due for review: NOVEMBER 2023  
 Organisation name: Agriweld Ltd  
 Reviewed by: Dawn Foster/Ryan Calvert/Km Messham.  
 MACHINERY TYPE: FIXEDSHIFT - Forklift attachment

Description: A mounted attachment (specifically for use on forklifts/loaders/telehandlers) with a maximum lift capacity of 5000kg, for the purpose of lifting and moving 3 point linkage and trailed equipment. Equipment attached is fixed to the unit using a top link and lower Walterscheid hooks. This enables the operator to use the attachment with a POST KNOCKER for example which would free up the farm tractor as well as for moving 3 point linkage equipment round the farm yard whilst securely fixed to the forklift/loader.

**NOTE:** ALL Operators must read and understand the OPERATORS MANUAL & RISK ASSESSMENT before using this Fixed Shift  
 The OPERATORS MANUAL & RISK ASSESSMENT must be readily available for reference when required.

What are the hazards?	Who might be harmed and how?	Risk evaluation Levels 1-5 (1 = Low risk, 5 = High risk)	Precautions in place	Further action required/notes?
Entanglement and trapping	Operator/bystanders if loose fittings clothes are snagged causing possible entanglement	1	Notice about not wearing loose fitting clothes in the operator's manual.	Single man operation. Operator manual references watching out for wandering individuals during use
Impact by collision when moving attached machines	Bystanders/other property or vehicles	3	Notice to remind operator to watch out for wandering individuals particularly children in operator's manual. Operator manual states all operators must have experience and hold appropriate license to use the equipment. Operator manual advises to take into account size of the FIXEDSHIFT and any attachments when manoeuvring. It is prohibited to use the Fixedshift on the public highway.	Operator manual references adjusting speed of travel to conditions and size of attachments being moved.
Loss of stability when freestanding and falling over	Operator/Bystanders/property	2	The Fixedshift is designed to free stand alone when not attached to the loader/forklift but may be pushed or knocked over if not stored in a safe location when	

What are the hazards?	Who might be harmed and how?	Risk evaluation Levels 1-5 (1 = Low risk, 5 = High risk)	Precautions in place	Further action required/notes?
			not in use. See operator's manual for safe storage advice	
Trapping/crushing whilst attaching implements to FIXEDSHIFT via <a href="#">3</a> point linkage	Operator/Bystanders	2	Low risk to operator of crushing/trapping due to single man operation. Operator is required to leave the loader cab to secure the Fixedshift top link to the implement to connect and disconnect it from the Fixedshift unit. The lower <a href="#">Walterscheid</a> hooks connect securely automatically but the operator is required to unclip them to allow for full disconnection of the implement from the Fixedshift. Operator manual states that only experienced operators are allowed to use the Fixedshift. Low risk to bystanders being crushed/trapped during attachment of implements - note in operator's manual about being aware of wandering individuals, particularly children & operators must be experienced and hold appropriate license to use.	
Accidental detachment from loader during connection or disconnection due to operator error or incorrect attachment causing crush/trap injury	Operator/Bystanders	2	Low risk to operator of crushing/trapping due to single man operation. Operator manual states all users must be experienced and hold appropriate license and will know how to attach and detach implements to the loader/forklift headstock.	Operator manual states to check that all connections are secure before using the Fixedshift
Slip/Trip/Fall during use or maintenance	Operator	1	Low maintenance attachment does not require the machine to be stood or climbed on to perform any maintenance checks. Warning about this stated in the operator's manual.	Visual daily checks do not require operator risk. Operator manual refers to working in an area free from obstructions to prevent trips whilst undertaking checks.
Overloading forklift	Operator/bystanders. By not conforming to Fixedshift maximum safe working load	3	Serial plate clearly states maximum load capacity on each Fixedshift.	Operator manual states that if forklift capacity is lower than the capacity of the Fixedshift, the Fixedshift capacity is reduced to the same. See also



<b>What are the hazards?</b>	<b>Who might be harmed and how?</b>	<b>Risk evaluation Levels 1-5 (1 = Low risk, 5 = High risk)</b>	<b>Precautions in place</b>	<b>Further action required/notes?</b>
	and/or forklift's maximum capacity if lower than this.			declaration of conformity.

### **Manufacturer's Warranty**

Your Agriweld Fixedshift is covered for a period of 12 months from the date of dispatch (which is recorded on our files) against faulty components and/or bad workmanship.

***Guarantees for overseas orders will begin when the product reaches its delivery destination as advised on the delivery/collection paperwork. We ask that you register this date with us to activate the products 12 months manufacturer's warranty. If you do not notify us of this date we will use the date notified to us as delivered by our haulier.***

Our welders are coded to ISO 9606-1 and our welding procedures are approved in accordance with ISO 15614-1 to manufacture your equipment. All products are checked for quality prior to delivery/collection.

Agriweld Ltd accepts no liability for instances arising from ignorance, occurrences outside our control, such as accidents or malicious damage and through non-compliance with safety/maintenance instructions and/or by failure to set up hydraulic systems correctly (if applicable) in accordance to the working conditions at the time.

All wearing parts, certain hydraulic fittings and hydraulic hoses are not covered under warranty.





**Please see our standard T's & C's for full details, available on our website [www.agriweld.co.uk](http://www.agriweld.co.uk)**

### **DAMAGES DURING TRANSIT:**

Damage occurred during transit arranged on your behalf by Agriweld Ltd must be reported to Agriweld before signing for the item from the haulier to enable us to enter any claim with them directly. The limit of our liability to undertake repairs to products damaged during transit is dependent on signing for any damaged product upon delivery as "DAMAGED". Thank you

If you have arranged your own collection/haulage and the order has been received damaged, you will need to follow the same procedure as above to report it, however, Agriweld will not be able to enter any claim with a haulier where transport has been arranged by your own methods. Thank you.

**STICKERS**

Sticker	Part Number	Description	Quantity per Machine
	AW_QS_LS (460mm x 90mm)	Fixedshift sticker	2
	AW_QS_AS (185 mm x 85mm)	Agriweld sticker	2
	AW_QS_GB (85mm x 50mm)	Great Britain sticker	2
	AW_OM_S	Read operator manual sticker	1

**CE DECLARATION OF CONFORMITY**

*The equipment which accompanies this declaration is in conformity with EU Directive(s):*

**2006/42/EC Machinery Directive**

Manufacturer Name: Agriweld Ltd

Manufacturer Address: Main Street, Garton-on-the-Wolds, Driffield, YO25  
3ET

Product: Fixedshift **CAT 3** adjustable 3-point  
Linkage Frame

Product Options: Stabilising Plates, Drawbar  
Clevis

Individual Serial Number:

Individual Product Description: An attachment specifically for  
use with telehandlers (max lift capacity  
5000kg) to safely and securely assist in  
moving, performing maintenance or  
changing wearing parts on 3-point  
linkage equipment

**THIS PRODUCT IS LOAD TESTED TO A MAXIMUM SWL OF 5000kg**

Authorised Signatory on Behalf of Manufacturer:

*Dawn Foster*

Dawn Foster

Position in Company:

Director

Date of Issue:

**AGRIWELD**



**Your Notes**