

# AGRIWELD

## Operator Manual

### Bespoke Grain Hopper



**Agriweld Ltd**  
**Main Street**  
**Garton-on-the-Wolds**  
**Driffield**  
**YO25 3ET**

## Contents

Page 3-4	User Information, Technical information, summary & General safety
Page 5-6	Qualifications & training, special safety instructions, dangers & risk of overloading
Page 7-8	Pre-use Checks, storage & Hydraulic Systems
Page 9-11	Main Assembly & Parts List
Page 12-13	Important Maintenance & safety, Maintenance Routine & Wearing Parts
Page 14	Stickers
Page 15-17	Risk Assessment
Page 18	Manufacturer's warranty
Page 19	Declaration of Conformity
Page 20	Your Notes

### **USER INFORMATION**

This manual contains basic advice, which should be observed during setting-up, operation and maintenance. It must be read by all personnel who may operate this product prior to use and be available at all times to each potential operator.

If safety instructions are not complied with, it can lead to the risk of injury to yourself and others as well as damage to the environment or to the product. Non-compliance to the safety instructions can also lead to claims for damages becoming invalid.

The specifications, descriptions and illustrations in this manual are accurate at the time of publication but may be subject to change.

This product is not to be used for any other purpose than for which it is intended – that is stated in this manual. Damage and injury caused as a result of incorrect usage is at your own risk.

### **Product Technical Information**

WEIGHT	700KG
LLC	N/A
HORIZONTAL CENTRE OF GRAVITY	800mm
MAX CAPACITY	3m <sup>3</sup>

**This information is shown on your product's serial plate.**

### **New equipment - be careful!**

It is very important to be careful when new equipment is going to be used for the first time. Incorrect mounting of equipment and operational errors can lead to expensive repair work and operational losses.

Your warranty with Agriweld is not valid if the instructions in this operating manual are not followed correctly.

## SUMMARY

The bespoke hopper is designed to fill grain bags via a hydraulic release flap to release grain from the hopper whilst utilising the hooks to hold a grain bag open for the fill procedure.

## GENERAL SAFETY

Read the instruction manual and follow the instructions given.

Take care when hitching up or unhitching the product to and from the handler/loader via the brackets.

It is prohibited for any persons to sit, ride or climb on the product at any time.

Driving, steering and braking characteristics can be influenced by mounted products. The operator must ensure adequate steering and braking ability.

Do not stand between loader and product during connection or while it is being raised/lowered on the handler/loader's linkage.

Make sure that all nuts and bolts are always fully tightened.

**NEVER** stand or work beneath a suspended load unless the full weight of the product is supported fully by suitable chocks or stands capable of carrying the products entire weight and bulk.

During use of the product, ensure that the handler cannot roll away by use of a park brake or wheel chocks.

Always keep clear of the product during use to avoid being hit during working process.

This product is not to be taken on the public highway whilst mounted to the handler/loader. It must be transported by trailer. The user is responsible for ensuring the product complies with the law when travelling on the highway.

Always lower the product when attached to a handler/loader whilst parked or not in use.

Never perform any adjustments to the product whilst mounted, unless the handler is stopped, turned off and the product is resting on the ground where possible.

**NEVER** work under a suspended load unless the product is fully supported by chocks or trestles capable of carrying the entire weight and bulk of the product.

### QUALIFICATION AND TRAINING

- **Experienced\*** personnel only may perform any work on, or with the product. Statutory minimum age limits must be observed.
- Only trained and instructed staff, with the correct certification or licence to use, operate, set up and maintain this product should be authorised to do so. Individual responsibilities of personnel concerning operation, setting up, maintenance and repair must be clearly established.
- Define the product operator's responsibilities – also with regard to observing traffic regulations. The operator must have the authority to refuse any instructions issued by third parties, which contravene safety.
- Persons undergoing training or instruction should not be allowed to work on or with the product unless they are under the constant supervision of an experienced person.
- The use of spare parts, accessories and ancillary equipment not supplied and/or not approved by Agriweld could have detrimental effects to this product or its functions and hence impair the active and/or passive driving and/or operational safety (accident prevention).
- Agriweld shall not be liable for any damage caused by the use of spare parts, accessories and ancillary equipment not supplied and/or approved by Agriweld.
- Conversions of, or modifications to the product may only be carried out after consultation with Agriweld.
- 

*\*Experienced personnel are classed as those persons with appropriate engineering knowledge and training from an approved provider, supplemented with experience of working with this type of activity.*

### SPECIAL SAFETY INSTRUCTIONS

It is forbidden to allow any persons to ride or sit on the forklift/loader and its load at any time. Observers should maintain a safe distance when machine is in use.

**NEVER walk or work under a suspended load. Always take measures to support the machine and its load to prevent crushing and/or death. Do not rely on Forklift/loader alone if you are working under a suspended load. Always use supports for example trestles or a frame capable of taking the load.**

### **DANGERS, OPERATING ERRORS AND EXEMPTION FROM LIABILITY**

1. No responsibility will be accepted for possible dangers arising from operations complying with the designated use.
2. Agriweld shall not be liable for any damage to agricultural produce and other items, which occurs as a result of normal operating, adjustments errors, failure by any means or incorrect usage.

3. Agriweld accepts no liability for any damage caused as a result of operations not complying with the designated use of the product. This also applies to damage to agricultural produce caused by certain external influences, which cannot be avoided with the current state of the art.

Any warning signs/instructions on the product provide important information and must be observed.

Ensure that you are familiar with the product before starting work.

Check round the product for any noticeable damage, or missing parts before starting work.

It is advisable that the operator does not wear jewellery and baggy clothing to avoid the risk of snagging and trapping.

Ensure that you are working in an area clear of obstructions and watch out for wandering individuals (particularly children!).

**PLEASE NOTE: If relevant, forklifts and lifting equipment are subject to LOLER inspection/report within 12 months of service from new, by reputable engineers and records kept and maintained.**

### **RISK OF OVERLOADING**

It is your responsibility to check the maximum load capacity of your handler and product. The handler's max capacity will be reduced by the combined weight and LLC of the product, and this must be taken into account during use, if relevant. You must not exceed the recommendations advised by the handler manufacturer and the max capacity of the product which can be found on the products serial plate.

It is important to ensure any additional weight imposed when the product is loaded does not exceed the overall maximum capacity of the product or the handler.

**Lost Load Centre (LLC): This is specific to each bracket/mounting type and is listed on the products SERIAL PLATE, if relevant.**

**During use, please be aware of increased weights imposed due to shock loading. This includes performing manoeuvres such as driving down a rough field, at some speed, with the product attached and possible loaded with produce. The resulting bouncing effect is known as shock loading and the weights can be significantly magnified to the point of overload.**

### PRE-USE CHECKS & STORAGE

Before operational use, it is important to inspect the handler and product with the recommended pre-use checks to prevent damage or danger.

- Check that the handler and its hydraulic system are in full working order.
- Check all mounting/securing pins are present and do not appear to be worn or missing. Replace as required.
- Check any lights fitted to the product are in full working order (if relevant).
- Physically check all nuts and bolts or other fixings are present and tight. Do not use if any are missing or broken.
- Visually check welds for cracks - this can compromise the strength and operational use of the product and may pose a health and safety risk.
- If relevant, check round all hydraulic hose and connections for leaks and damaged hydraulic pipes. Replace as required. Do not attempt to repair hydraulic hose.
- Check for any potential damage to the serial plate as this helps to identify the product, its origin of manufacture and will be required to order spare parts if needed.
- Check all ancillary parts are present, in good condition and that none are defective or missing.
- When products are to be stored away when not in use, correct storage methods are important in protecting the paintwork. The product should be cleaned down thoroughly and stored inside where possible, always detach any other attachments from the Agriweld product when you have finished using them.
- If you need to keep the product mounted to the forklift/loader/tractor in between use, it is important to ensure the product is lowered to ground level, the vehicle has the hand brake/equivalent applied and that the engine is turned off.
- The bespoke hopper will stand on its own safely when it is not connected to the loader/handler via the frame. Always store your product safely in an area free from obstruction so not to cause hazard to others or damage to the product. Always store inside over winter months if possible to protect the paintwork.
- Always follow and record a regular greasing routine. Greasing points are marked and easy to see on the product.

## HYDRAULIC SYSTEMS

### *Rules of conduct when handling the hydraulic system*

#### **DANGER!**

**The hydraulic system is under high pressure! Fluids escaping under high pressure can penetrate the skin and cause serious injuries. If any such injuries occur, always seek medical treatment/advice immediately.**

#### **Important:**

Only **experienced\*** and/or trained personnel may undertake any repairs or maintenance on the hydraulic system.

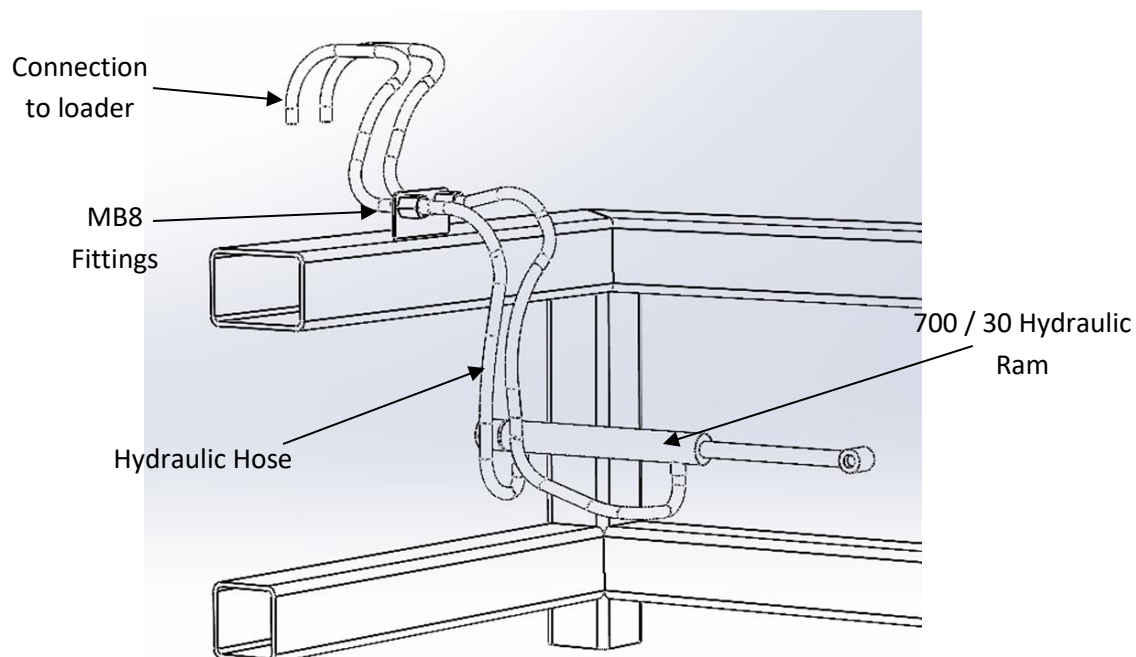
Only work on the hydraulic system when the hydraulic system is depressurised, and the drive is switched off.

It is especially important that all hoses and connections are checked frequently for leakage and any visible external damage. Porous and defective hoses must always be replaced immediately. **DO NOT ATTEMPT TO REPAIR THEM.**

The hydraulic hoses should not be connected to or removed from the hydraulic system on the handler/loader unless the oil pressure in both the handler and product has been released.

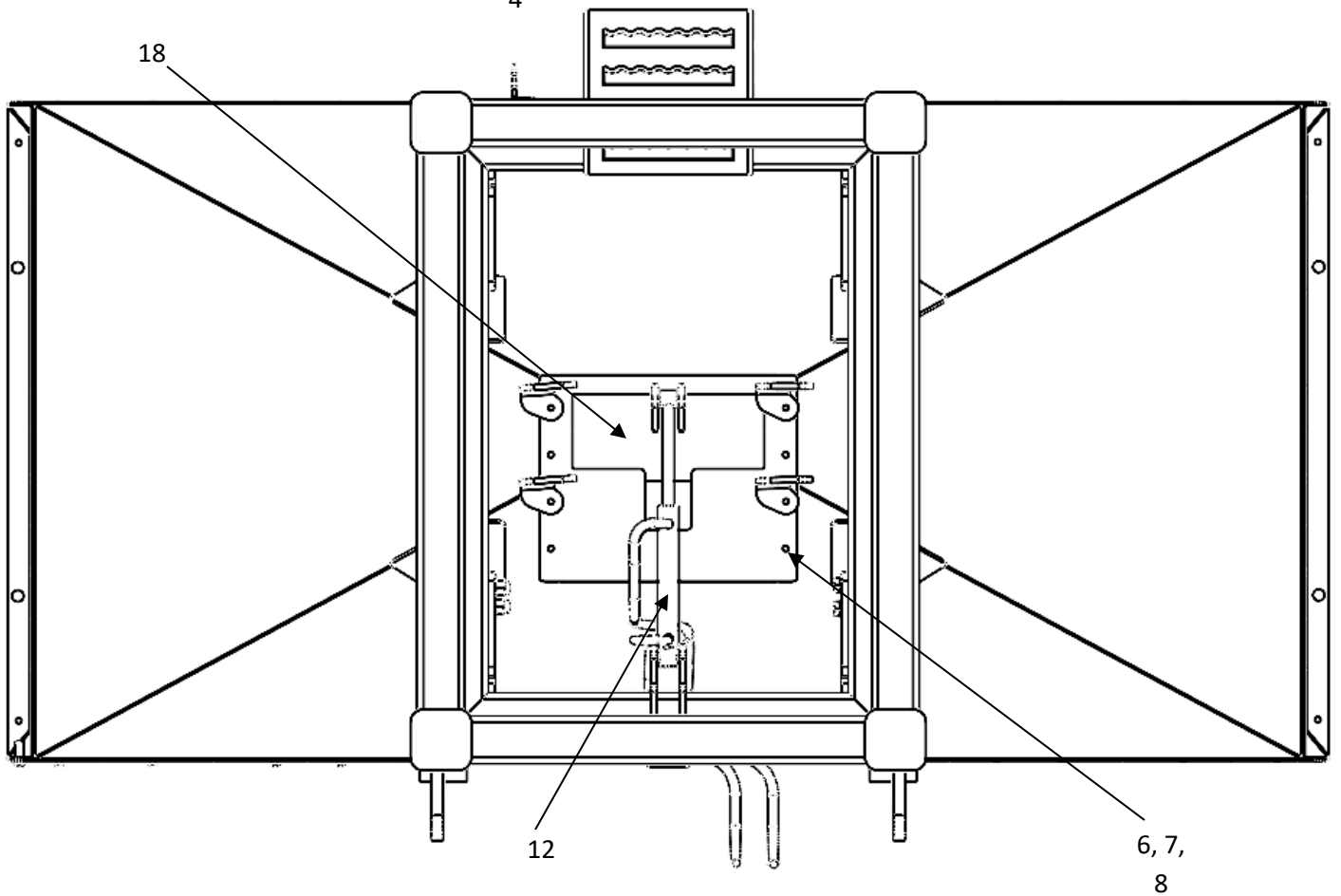
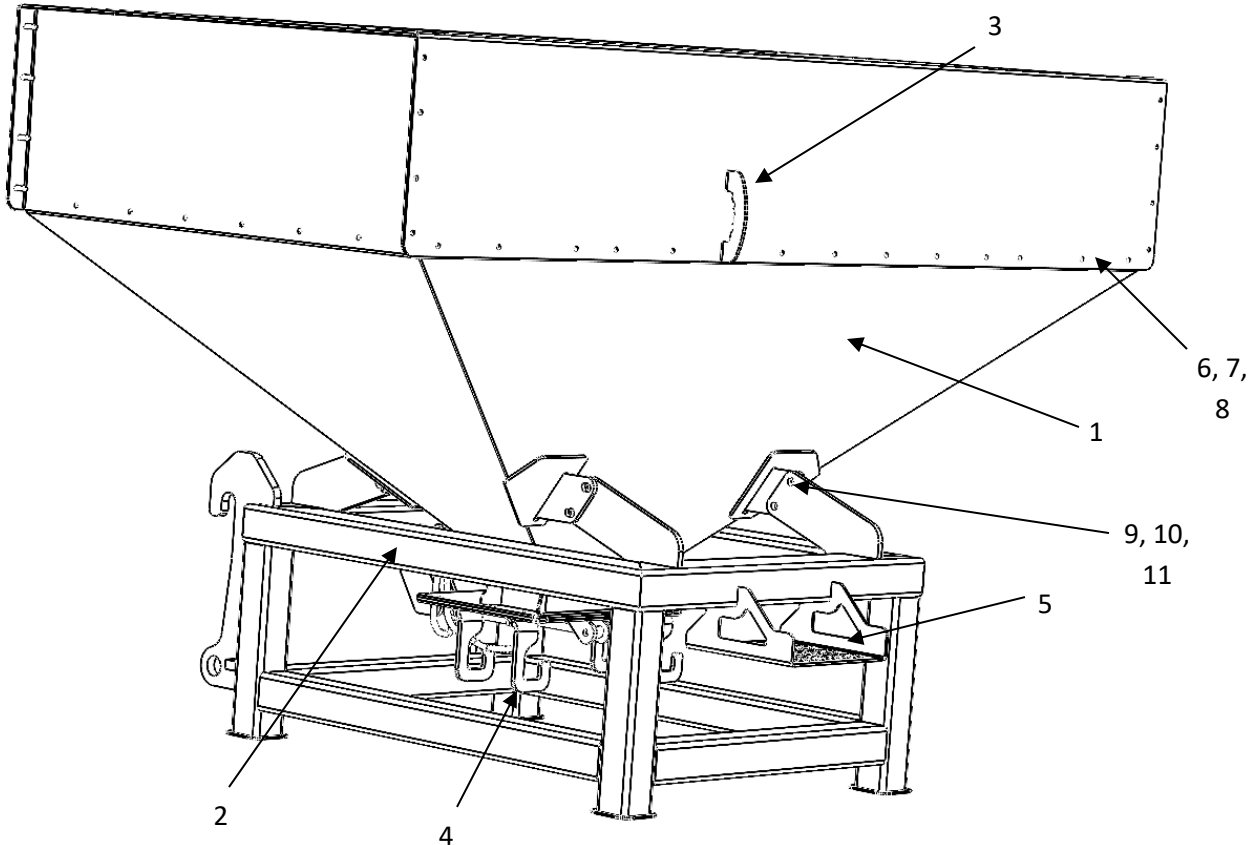
Oil leakage from damaged hoses and connections can cause fatal injury and possible fire risk.

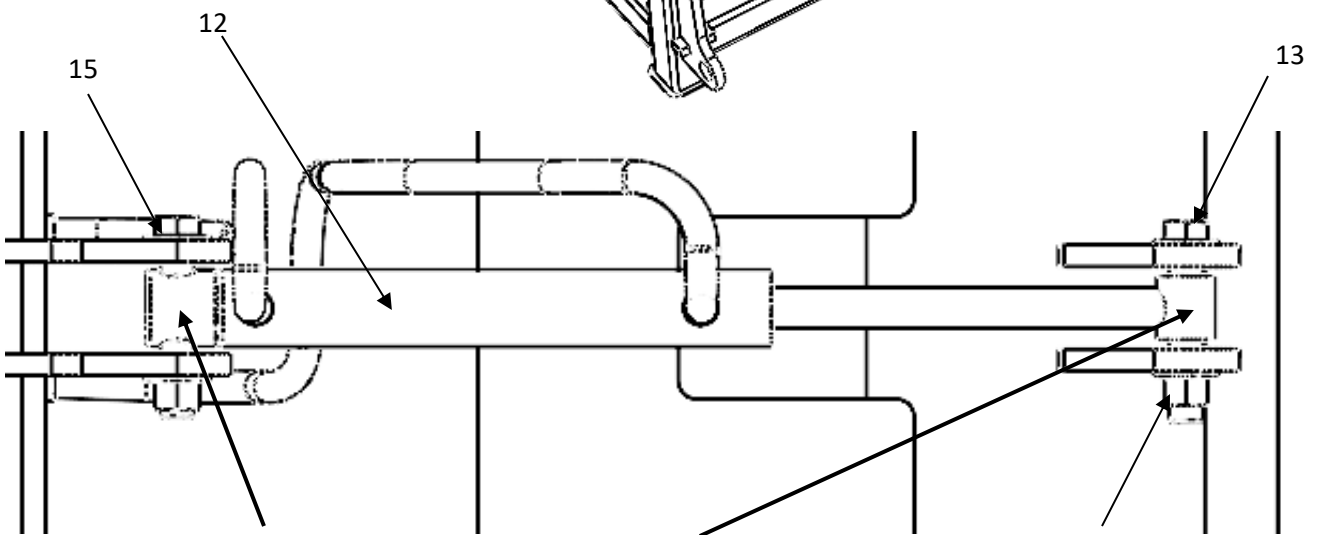
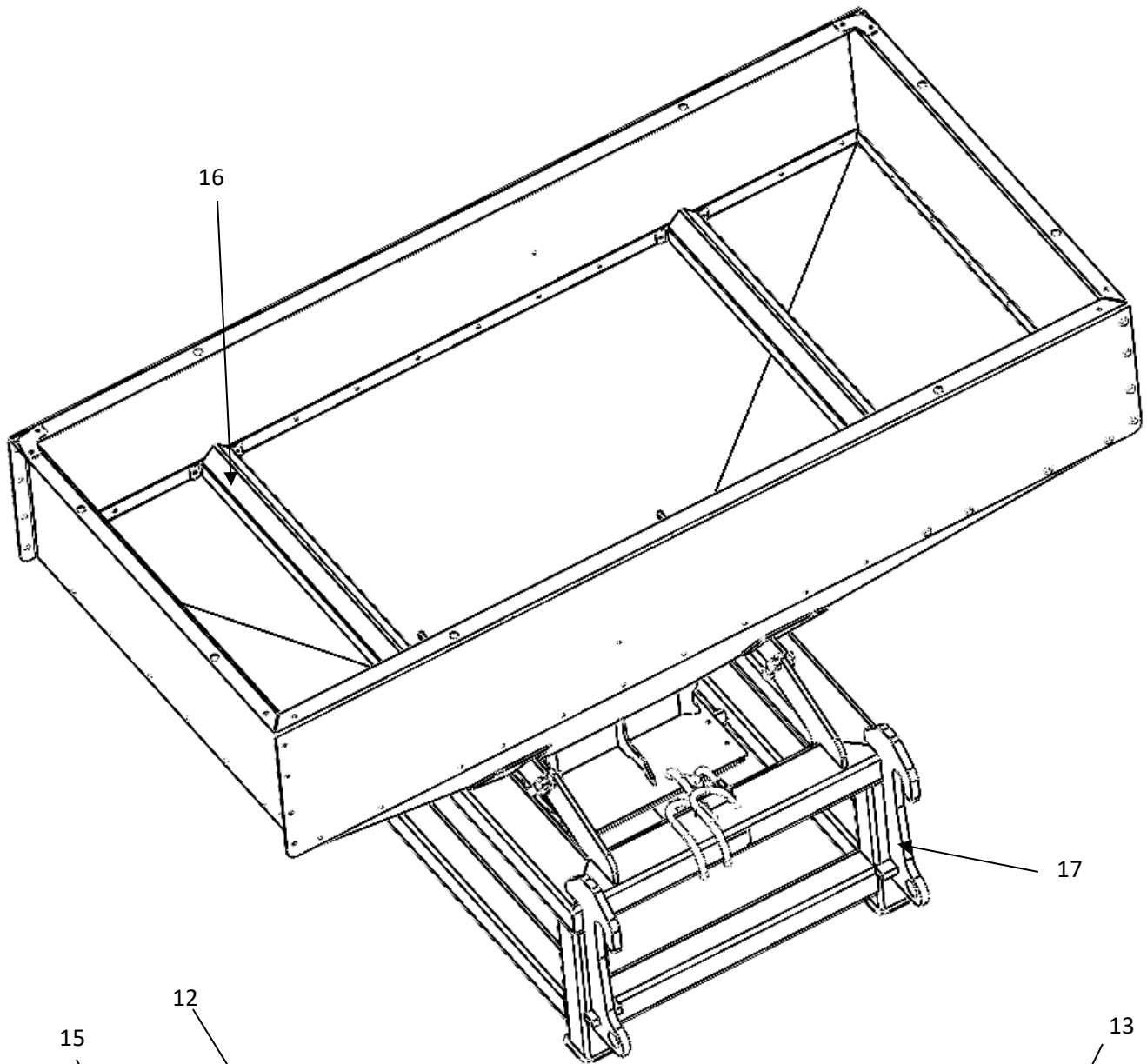
### Hydraulic Diagram





**Main Assembly**





HYD RAM GREASING POINTS – information  
page 13

14

### Main Assembly Parts List

Item Number	Part Number	Description	Quantity per Machine
1	---	Hopper	1
2	---	Hopper frame	1
3	---	Handle	1
4	---	Grain bag hooks	4
5	---	Step	1
6	---	M12 x 35 - 45 Bolt	66
7	---	M12 Washer	132
8	---	M12 Nyloc Nut	66
9	---	M20 x 100 Bolt	8
10	---	M20 washer	16
11	---	M20 Nyloc Nut	8
12	Ram 700_20 (20_32)	700 / 20 Hydraulic ram	1
13	---	M16 x 90 Bolt	2
14	---	M16 Washer	4
15	---	M16 Nyloc Nut	2
16	---	Support Beam	2
17	---	Quick Hitch - Claas Scorpion mounting brackets	1
18	---	Hydraulic grain release flap	1

### **IMPORTANT MAINTENANCE & SAFETY**

Regular maintenance is a prerequisite for good operational reliability. The following safety advice is to be observed before starting any maintenance, cleaning or repair work.

Trained personnel may only execute maintenance activities.

Inform operating personnel before beginning special operations and maintenance work! Delegate a supervisor!

If necessary, ensure that the maintenance area is adequately secured.

Use suitable tools and wear gloves and appropriate PPE when working on the product!

Switch off the loader completely for maintenance and repair work and ensure that it is protected against inadvertent starting by:

- Locking the principal controls and removing the ignition key and/or
- Detaching the hydraulic supply.

Carry out maintenance and repair work only when the product is positioned on stable and level ground and has been secured against involuntary movement and toppling.

To avoid the risk of accidents, individual parts and larger subassemblies being moved for replacement purposes should be carefully securely attached to lifting tackle. Use only suitable hoisting and lifting gear with adequate load capacity, which is in proper working condition. Never work or stand under suspended loads!

The securing of loads and the instruction of crane operators should only be entrusted to experienced persons. A signaller giving instructions must be within sight of the crane operator or must be provided with a radio link.

For carrying out overhead work, always use specially designed facilities or safe ladders/ platforms. Never climb on the product itself! Wear a safety harness when carrying out maintenance work at greater heights.

Clean the product, especially connections and threaded unions (if relevant), of any traces of oil, fuel or preservatives before carrying out maintenance/repairs! Never use aggressive detergents. Use lint-free cleaning cloths.

Before cleaning the product with water or steam jets (high-pressure cleaners) or other cleaning agents, cover or tape all openings which – for safety and operational reasons – must be protected against ingress of water, steam or cleaning agents (if applicable).

After cleaning, if applicable, examine all fuel, lubricant and hydraulic oil lines for leaks, loose connections, scuffing marks and damage. Any defects found must be rectified without delay.

Always retighten any threaded connections that have been unscrewed during maintenance and repairs.

Any safety devices removed for setting-up, maintenance or repair purposes must be refitted and checked immediately upon completion of the maintenance and repair work and prior to operation.

If applicable replace wearing parts before they are too worn, and damage occurs.

### **Maintenance Routine – IMPORTANT.**

It is very important to grease your Grain hopper ram using a good quality general purpose grease **at least once weekly** whilst working under normal conditions and twice weekly under extreme use and or very dry/dusty conditions.

- Check hydraulic hoses and connections for leaks.
- Check framework for any significant damage.
- Check welds for damage or cracks.
- Check brackets for wear or damage.
- Check ram function & ram rod for dents/damage. Does the hydraulic slide open/close easily?
- Are the bag hooks all present and un-damaged. Do not use if welds appear cracked or any are missing.
- Grease ram rod ends using a good quality all-purpose grease.

It is important to follow the recommended greasing routine to prolong the lifespan of its main operating parts. Failure to carry out this maintenance may result in your warranty becoming invalid due to non-maintenance.

### **WEARING PARTS**

If relevant, replace wearing parts before excessive wear causes poor performance and damage. Parts can be obtained through Agriweld Ltd directly or through your local dealer.

#### **Acquiring spare parts**

Please quote the details on the type plate(s) as well as the product's serial no. on every order for spare parts or accessories, or enquiries of a technical nature.

*The use of spare parts supplied by others shall only be permitted after consultation with the manufacturer. Original spare parts and accessories authorised by the manufacturer ensure safe and reliable operation. The use of other parts may invalidate the liability of the manufacturer for any consequences arising from such use.*

#### **Disposing of replaced parts**

The following points should be observed before replacing or disposing of parts, if relevant.

- Replaced parts, which still function, should be cleaned and stored in an orderly manner.
- Product parts, which cannot be repaired should only be disposed of at appropriate collecting points or be collected by a scrap metal dealer.

- So-called “valuable” materials should be disposed of in a proper way, i.e. plastics, rubber, scrap metal, etc. should be recycled.
- Collect and dispose of old oil in accordance with the current regulations.

### STICKERS

Stickers	Part Number	Description	Quantity
 <p>The sticker features the word "AGRIWELD" in large, bold, red letters with a black outline. Below it, in smaller black text, are the words "AGRICULTURAL MACHINERY MANUFACTURERS", the phone number "01377 259140", and the website "www.agriweld.co.uk".</p>	AW_QS_AS (185 mm x 85mm)	Agriweld sticker	2
 <p>The sticker shows a stylized Union Jack flag with the words "Made Great Britain" written across it in a white, serif font.</p>	AW_QS_GB (85mm x 50mm)	Great Britain sticker	2
 <p>The sticker is yellow with a black border. At the top, it says "IMPORTANT" in bold black letters. Below that, it says "PLEASE READ" and features an icon of an open book. At the bottom, it says "OPERATOR MANUAL".</p>	AW_OM	Operator manual	1
 <p>The sticker is yellow with a black border and a red inner border. It features a black silhouette of a hand being caught in a trap.</p>	AW_TH	Hand trap warning sticker	2
 <p>The sticker is yellow with a black border. It features the word "GREASE" at the top, a silhouette of a grease gun in the center, and the word "WEEKLY" at the bottom.</p>	AW_grease	Grease weekly sticker	2

## Bespoke Grain Hopper Risk Assessment

Created May 2023 – Due for Review: May 2024 or sooner if there are any updates.

Reviewed by: Jay & Dawn

Organisation name: Agriveld Ltd

MACHINERY TYPE: Bespoke Grain Hopper

Description: A Quick-hitch mounted hopper for holding/dispersing grain via a hydraulically operated release.

**NOTE;** ALL Operators must read and understand the OPERATORS MANUAL & RISK ASSESSMENT before using this mounted Grain Hopper.

The OPERATORS MANUAL & RISK ASSESSMENT must be readily available for reference when required.

What are the hazards?	Who might be harmed and how?	Risk evaluation Levels 1-5 (1 = Low risk, 5 = High risk)	Precautions in place	Further action required/notes?
Incorrect mounting of hopper to loader/handler.	Operator, bystanders	2	Operator manual states personnel using the machinery must be trained accordingly in the qualification and training section.	
Fixing bolts missing/loose	Operator, bystanders	2	Operator manual states to perform pre-use checks to ensure no fixings are missing prior to use. Nyloc nuts used to fix all bolts in position should only become loose if slackened off by a spanner, so this is unlikely to occur during normal operation but requires checking to ensure no other personnel have performed unfinished maintenance.	Pre-use checks to be maintained.

<b>What are the hazards?</b>	<b>Who might be harmed and how?</b>	<b>Risk evaluation Levels 1-5 (1 = Low risk, 5 = High risk)</b>	<b>Precautions in place</b>	<b>Further action required/notes?</b>
Low visibility when the implement is mounted to the loader	Bystanders, other property & vehicles,	3	See Operator manual for safe movement information. Only *trained and experienced operators are authorised to use this equipment. Operator manual states user is required to assess the task at hand and if necessary, seek assistance from a second experienced person to guide your movements to avoid collisions. Consider that a 2-way system or mobile device may be required to maintain effective communication.	
Falling into the hopper	operator	1	Operator manual states not to climb on or into the hopper at any time. There is a viewing step in situ on the framework if observations are needed but not located to facilitate anyone being able to fall into the hopper accidentally.	
Falling off the viewing step	operator	2	Operator manual provides information regarding the viewing step. The viewing treads are non-slip with folded gripping points for maximum grip underfoot. A handle has been fitted shoulder height for support whilst using the step. Operator manual advises safety precautions regarding the correct dismount from the step to avoid injury. User advised not to jump down from the step.	
Suspended grain bag under hopper when filling bags	Operator/bystanders	4	Four hooks under the hopper located just below the hydraulic release flap provides facility to support a grain bag. Operator manual states the operator must not leave the hopper whilst this operation is in progress. Operator manual states the max capacity of the bag and that it must be connected to all four support hooks and the hopper placed as low the ground as possible to allow for the bag to be filled. Operator manual states that it is prohibited to work under a suspended load and the operator must observe the bag filling process from a safe distance.	Operator has the responsibility to ensure there are no bystanders in close proximity whilst this operation is in process.



<b>What are the hazards?</b>	<b>Who might be harmed and how?</b>	<b>Risk evaluation Levels 1-5 (1 = Low risk, 5 = High risk)</b>	<b>Precautions in place</b>	<b>Further action required/notes?</b>
Hydraulic release flap	Operator	4	Warning stickers attached to the hopper at this location highlight risk of trapping hand/arm in the discharge flap. Operator manual states that if access is needed inside the hopper via the flap, the hopper must be empty of grain and the loader must be switched off and the key removed during this operation to prevent the flap inadvertently being closed via the hydraulic service.	

### **Manufacturer's Warranty/Guarantee**

Your Bespoke Grain Hopper is covered for a period of 12 months from the date of dispatch (which is recorded on our files) against faulty components and/or bad workmanship.

***Guarantees for overseas orders will begin when the product reaches its delivery destination as advised on the delivery/collection paperwork. We ask that you register this date with us to active the products 12 months manufacturer's warranty.***

Our welders are coded to ISO 9606-1 and our welding procedures are approved in accordance with ISO 15614-1 to manufacture your equipment. All products are checked for quality prior to delivery/collection.

Agriweld Ltd accepts no liability for instances arising from ignorance, occurrences outside our control, such as accidents or malicious damage and through non-compliance with safety/maintenance instructions.

Hydraulic connectors/hoses are not covered under warranty.

**Please see our standard T's & C's for full details, available on our website [www.agriweld.co.uk](http://www.agriweld.co.uk)**

### **DAMAGES DURING TRANSIT:**

Damage occurred during transit arranged on your behalf by Agriweld Ltd must be reported to Agriweld before signing for the item from the haulier to enable us to enter any claim with them directly. The limit of our liability to undertake repairs to products damaged during transit is dependent on signing for any damaged product upon delivery as "DAMAGED". Thank you

If you have arranged your own collection/haulage and the order has been received damaged, you will need to follow the same procedure as above to report it, however, Agriweld will not be able to enter any claim with a haulier where transport has been arranged by your own methods. Thank you

**CE DECLARATION OF CONFORMITY**

*The equipment which accompanies this declaration is in conformity with EU Directive(s):*

**2006/42/EC Machinery Directive**

Manufacturer Name: Agriweld Ltd

Manufacturer Address: Main Street, Garton-on-the-Wolds, Driffield, YO25 3ET

Product: Bespoke Grain Hopper

Product Options: 3m<sup>3</sup> Capacity

Individual Serial Number:

Individual Product Description: Grain Hopper

Supplementary Information: Weight 700KG

Date of Last Load Test: N/A

Authorised Signatory on Behalf of Manufacturer:   
Dawn Foster

Position in Company: Director

Date of Issue:

**AGRIWELD**

**This page is blank for your own notes.**