

# AGRIWELD

## OPERATOR MANUAL

### Tubular Material Pusher



Agriweld Ltd  
Main Street  
Garton-on-the-Wolds  
Driffield  
YO25 3ET

## Contents

<b>Page 3</b>	User information & Product technical information
<b>Page 4-5</b>	Designated use of Product, qualifications & training & General safety
<b>Page 6-9</b>	Risk of overloading, pre-use checks & storage, Further safety & order of operation
<b>Page 10-11</b>	Important Maintenance, wearing parts & Changing the Blade
<b>Page 12</b>	Assembly
<b>Page 13-15</b>	Blade Assembly & Parts List
<b>Page 16-19</b>	Risk Assessment
<b>Page 20</b>	Stickers
<b>Page 21</b>	Warranty
<b>Page 22</b>	Declaration of conformity
<b>Page 23</b>	Maintenance record

## USER INFORMATION

This manual contains basic advice, which should be observed during setting-up, operation and maintenance. It must be read by all personnel who may operate this product prior to use and be available at all times to each potential operator.

If safety instructions are not complied with, it can lead to the risk of injury to yourself and others as well as damage to the environment or to the product. Non-compliance to the safety instructions can also lead to claims for damages becoming invalid.

The specifications, descriptions and illustrations in this manual are accurate at the time of publication but may be subject to change.

This product is not to be used for any other purpose than for which it is intended – that is stated in this manual. Damage and injury caused as a result of incorrect usage is at your own risk.

### Product Technical Information

#### 9 Metre

WEIGHT	2300KG
HORIZONTAL CENTRE OF GRAVITY	4.3M

#### 10 Metre

WEIGHT	2500KG
HORIZONTAL CENTRE OF GRAVITY	4.7M

#### 11 Metre

WEIGHT	2700KG
HORIZONTAL CENTRE OF GRAVITY	5.1M

#### 12 Metre

WEIGHT	2900KG
HORIZONTAL CENTRE OF GRAVITY	5.7M

Horizontal centre of gravity is calculated from the loaders locking pin.

**The pusher is not intended to take load in the vertical direction. The blade is used to push/heap coal/grain type material of a density not exceeding 1 tonne per cubic metre.**

**This information is shown on your product's serial plate.**

### **New equipment - be careful!**

It is very important to be careful when new equipment is going to be used for the first time. Incorrect mounting of equipment and operational errors can lead to expensive repair work and operational losses.

Your warranty with Agriweld is not valid if the instructions in this operating manual are not followed correctly.

### **Designated Use of this Product**

The Agriweld Tubular Pusher is an implement used for heaping free flowing material of a density not exceeding 1 tonne per cubic meter. It is designed to fit a specific model of handler/loader of relevant capacity via the corresponding mounting brackets provided with the implement.

It is designed and manufactured by Agriweld in Great Britain.

The blade is fitted with either a Hardox wear plate or rubber blade to protect the implements steel blade end (Hereon referred to as wear blade). NOTE: Always lower the blade end of the pusher slowly with care to avoid damage to the floor surface and to the implement.

### **QUALIFICATION AND TRAINING**

- **Experienced personnel\*** only may perform any work on, or with the product. Statutory minimum age limits must be observed.
- Only trained and instructed staff, with the correct certification or licence to use, operate, set up and maintain this product should be authorised to do so. Individual responsibilities of personnel concerning operation, setting up, maintenance and repair must be clearly established.
- Define the product operator's responsibilities – also with regard to observing traffic regulations. The operator must have the authority to refuse any instructions issued by third parties, which contravene safety.
- Persons undergoing training or instruction should not be allowed to work on or with the product unless they are under the constant supervision of an \*experienced person.
- The use of spare parts, accessories and ancillary equipment not supplied and/or not approved by Agriweld could have detrimental effects to this product or its functions and hence impair the active and/or passive driving and/or operational safety (accident prevention).
- Agriweld shall not be liable for any damage caused by the use of spare parts, accessories and ancillary equipment not supplied and/or approved by Agriweld.
- Conversions of, or modifications to the product may only be carried out after consultation with Agriweld.

***\*Experienced personnel are classed as those persons with appropriate engineering knowledge and training from an approved provider, supplemented with experience of working with this type of activity.***

## **GENERAL SAFETY**

Read the instruction manual and follow the instructions given.

Take care when hitching up or unhitching the product to and from the loader.

It is forbidden to allow any persons to sit or ride on the product at any time.

Driving, steering and braking characteristics can be influenced by Agriweld products. The operator must ensure adequate steering and braking ability.

Use the handler's position control when coupling the product to the loader.

Do not stand between loader and product during connection or while it is being raised/lowered on the loader.

Make sure that all nuts and bolts are always fully tightened.

**NEVER** stand or work beneath a suspended load unless the full weight of the product is supported fully by suitable chocks or stands capable of carrying the products entire weight and bulk.

Ensure that the handler cannot roll away by use of a park brake or wheel chocks.

Always keep clear of the unit during use to avoid being hit during working process.

The user is responsible for ensuring the product complies with the law when transporting it on the public highway.

Always lower the product to the ground when attached to a handler when not in use.

Never perform any adjustments to the product whilst mounted, unless the handler is stopped, turned off and the product is resting on the ground where possible.

## **DANGERS, OPERATING ERRORS AND EXEMPTION FROM LIABILITY**

1. No responsibility will be accepted for possible dangers arising from operations complying with the designated use.
2. Agriweld shall not be liable for any damage to agricultural produce and other items, which occurs as a result of normal operating, adjustments errors, failure by any means or incorrect usage.
3. Agriweld accepts no liability for any damage caused as a result of operations complying or not complying with the designated use of the product. This also applies to damage to agricultural produce caused by certain external influences, which cannot be avoided with the current state of the art.

Any warning signs/instructions on the product provide important information and must be observed.

Ensure that you are familiar with the product before starting work. Perform pre-use checks.

Check round the product for any noticeable damage, or missing parts before starting work.

It is advisable that the operator does not wear jewellery and baggy clothing to avoid the risk of snagging and trapping.

Ensure that you are working in an area clear of obstructions and watch out for wandering individuals (particularly children!).

**PLEASE NOTE: If relevant, forklifts and lifting equipment are subject to LOLER inspection/report within 12 months of service from new, by reputable engineers and records kept and maintained.**

### **Further Safety**

Any warning signs/instructions on the implement provide important information and must be observed.

Ensure that you are familiar with the equipment, forklift controls and functions before starting work.

Check round the implement for any noticeable damage, or missing parts before starting work.

Always match your speed to the conditions and speed limits imposed.

**Remember to take into account the size of any attachments to the forklift/loader you may have and be aware of the sideways forces acting on the machine when turning and negotiating corners. Always ensure adequate all-round visibility.**

### **Special Safety Instructions**

Take extra care when hitching up or un-hitching the pusher to/from the handler/loader. Be aware of what is under the pusher and its blade (such as someone's feet) before dropping it off.

Ensure that the handler/loader hydraulic system is in full working order.

Never allow any person to stand between the forklift/loader and the product during connection or at any time unless the forklift/loader is secured against rolling away by use of a parking brake and/or wheel chocks.

It is forbidden to allow any persons to ride or sit on the pusher at any time. Observers should maintain a safe distance when machine is in use.

When performing any adjustments to the pusher the forklift/loader engine must be switched off to prevent the hydraulics from operating.

The driving characteristics of the forklift/loader are influenced and altered by the attachment of mounted machines, and it is important to ensure adequate steering and braking ability as required.

## **Safety First**

**Everyone is responsible for Health and Safety! Please operate your forklift or loader with this implement attached in a sensible and safe manner. Be aware of the safety of others at all times. Never work under a suspended load.**

### **RISK OF OVERLOADING/MAX CAPACITY**

It is your responsibility to check the maximum load capacity of your handler and implement. The handlers max capacity will be reduced by the weight of the product and the LLC. This must be taken into account during use, if relevant. You must not exceed the recommendations advised by the handler manufacturer and the max capacity of the product which can be found on the products serial plate. Reference the handlers operator manual if necessary.

It is important to ensure any additional weight imposed when the product is loaded does not exceed the overall maximum capacity of the handler.

**Lost Load Centre (LLC): This is specific to each bracket/mounting type and is listed on the products SERIAL PLATE, if relevant.**

**During use, please be aware of increased weights imposed due to shock loading. This includes performing manoeuvres such as driving down a rough surface with the product attached. The resulting bouncing effect is known as shock loading, weights can be significantly magnified to the point of overload and due to the length of the pusher, significant and dangerous movement may result.**

**The pusher is not intended to take load in the vertical direction. The blade is used to push/heap free flowing material of a density not exceeding 1 tonne per cubic metre.**

**This information is shown on your product's serial plate.**

### **PRE-USE CHECKS & STORAGE**

Before operational use, it is important to inspect the handler and product with the recommended pre-use checks to prevent damage or danger.

- Check that the handler and its hydraulic system are in full working order.
- Check all mounting/securing pins are present and do not appear to be worn or missing. Replace as required.
- Physically check all nuts and bolts or other fixings are present and tight. Do not use if any are missing or broken.
- Visually check welds for cracks - this can compromise the strength and operational use of the product and may pose a health and safety risk.
- If relevant, check round all hydraulic hose and connections for leaks and damaged hydraulic pipes. Replace as required. Do not attempt to repair hydraulic hose.
- Check for any potential damage to the serial plate as this helps to identify the product, its origin of manufacture and will be required to order spare parts if needed.
- Check all ancillary parts are present, in good condition and that none are defective or missing.
- When products are to be stored away when not in use, correct storage methods are important in protecting the paintwork. The product should be cleaned down thoroughly and stored inside where possible, always detach any other attachments from the Agriweld product when you have finished using them.
- If you need to keep the pusher mounted to the handler/loader in between use, it is important to ensure the pusher is lowered to the ground, the handler has the hand brake/equivalent applied and that the engine is tuned off.
- Always store the pusher in an area free from obstruction so not to cause hazard to others or damage to the product.
- Always follow and record a regular inspection/maintenance routine.
- Check the pusher Hardox or rubber blade for wear and replace as required.
- Check bolts, nuts & washers attaching the wear blade for wear and that none are missing.



## Order of Operation

### **IMPORTANT: Do's and Don'ts**

After taking note of the recommended safety instructions in this manual, here are a few other recommendations you will need to follow.

1. Before use, ensure that the pusher is attached to the handler/loader correctly and any locking pins are located securely.
2. Ensure that the handler/loader hydraulic system is in full working order prior to use.
3. Allow time, before first use for the operator to gain experience using the handler/loader with the product attached.
4. Wear suitable PPE if required to do so. This may include hearing protection from loader engine sounds and action of pusher against the material or ground surface.
5. **When heaping material of any type, DO NOT "BURY" the blade in the material face while simultaneously pushing the heap up. This puts the pusher and handler headstock under strain and damage may occur. The correct method is to push a sensible amount of material, following the angle of repose multiple times. A correctly repeated action will achieve the intended result safely.**
6. Manoeuvre at a **very slow pace** and ensure that there are no spectators within the immediate area due to the size and bulk of the pusher and working processes.
7. GENTLY lower the blade end of the pusher to the ground using the hydraulic system of your handler/loader. **DO NOT allow the blade to suddenly drop from any height.** Damage will occur if the pusher is allowed to drop and is not lowered slowly and carefully.
8. When you have finished using the pusher for any period of time, always lower the blade end to the ground and turn off the handler/loader. Always leave the implement in a careful position so not to cause obstruction or hazard to others.
9. SAFETY FIRST: We are all responsible for Health and Safety so please use this implement responsibly.

### **RULES OF CONDUCT FOR GENERAL OPERATION**

**The following points must always be observed before and during operation:**

- Read the risk assessment and operator manual thoroughly.
- Only \*experienced and trained personnel should use this product.
- Never leave the product and handler unattended.
- Check the product regularly for oil leakage, if relevant. Replace defective components immediately.
- The user is responsible for damage to the produce caused by oil leakage.
- Check the product for dirt accumulation and clean it on a regular basis.
- If relevant, follow the products greasing routine.
- If relevant, replace wearing points in good time so not to cause damage elsewhere.

### Daily Maintenance Checks

- Check the pusher blade end for wear or damage. Significant damage or excessive wear to the wear blade could cause damage to the floor surface and main body of the blade and/or cause poor performance. Replace the metal or rubber wear blade when it shows signs of excessive wear or damage.
- Check all bolts, nuts & washers attaching the wear blade are present and are not showing signs of damage/shearing.
- Check pusher framework for any signs of damage e.g., structural damage that can compromise the strength of the pusher, cracked welds or other damage. Do not use until rectified by a coded welder.
- Check the mounting brackets for wear e.g., elongation of the holes/hooks and for dents or warping.

**DO NOT USE THE PUSHER IF ANY DEFECT IS NOTICED UNTIL IT IS RECTIFIED**

### IMPORTANT MAINTENANCE & SAFETY

Regular maintenance is a prerequisite for good operational reliability. The following safety advice is to be observed before starting any maintenance, cleaning or repair work.

**Only trained and/or \*experienced personnel only may execute maintenance activities.**

Inform operating personnel before beginning special operations and maintenance work! Delegate a supervisor!

If necessary, ensure that the maintenance area is adequately secured.

Use suitable tools and wear gloves and appropriate PPE when working on the product!

Switch off the loader completely for maintenance and repair work and ensure that it is protected against inadvertent starting by:

- Locking the principal controls and removing the ignition key and/or
- Detaching the hydraulic supply.

Carry out maintenance and repair work only when the product is positioned on stable and level ground and has been secured against involuntary movement and toppling.

To avoid the risk of accidents, individual parts and larger subassemblies being moved for replacement purposes should be carefully securely attached to lifting tackle. Use only suitable hoisting and lifting gear

with adequate load capacity, which is in proper working condition. Never work or stand under suspended loads!

The securing of loads and the instruction of crane operators should only be entrusted to experienced persons. A signaller giving instructions must be within sight of the crane operator or must be provided with a radio link.

For carrying out overhead work, always use specially designed facilities or safe ladders/ platforms. Never climb on the product itself! Wear a safety harness when carrying out maintenance work at greater heights.

Clean the product, especially connections and threaded unions (if relevant), of any traces of oil, fuel or preservatives before carrying out maintenance/repairs! Never use aggressive detergents. Use lint-free cleaning cloths.

Before cleaning the product with water or steam jets (high-pressure cleaners) or other cleaning agents, cover or tape all openings which – for safety and operational reasons – must be protected against ingress of water, steam or cleaning agents (if applicable).

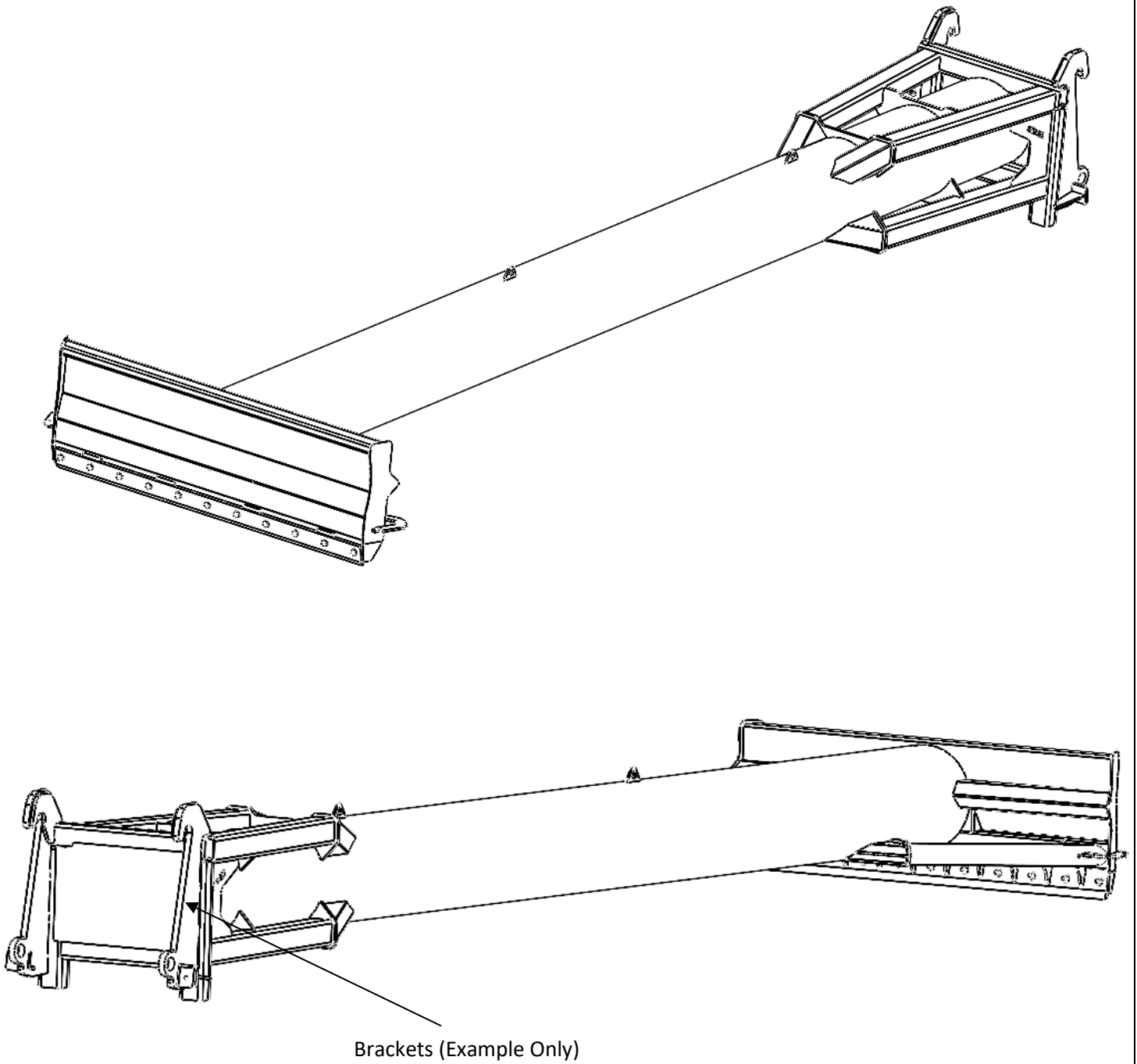
After cleaning, if applicable, examine all fuel, lubricant and hydraulic oil lines for leaks, loose connections, scuffing marks and damage. Any defects found must be rectified without delay.

Always retighten any threaded connections that have been unscrewed during maintenance and repairs.

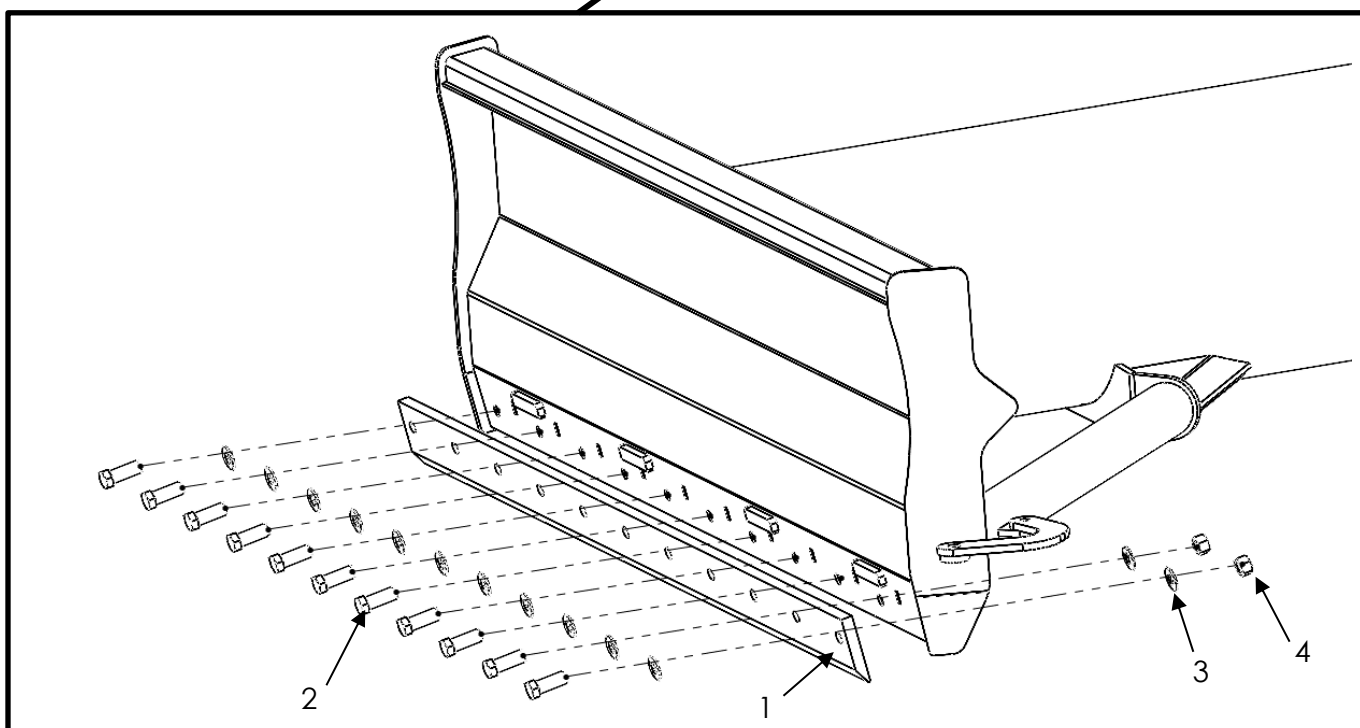
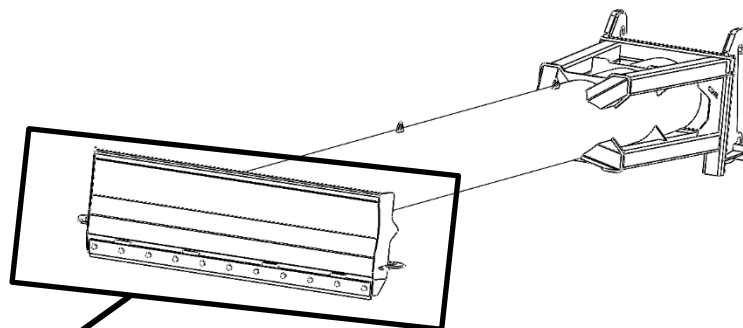
Any safety devices removed for setting-up, maintenance or repair purposes must be refitted and checked immediately upon completion of the maintenance and repair work and prior to operation.

If applicable replace wearing parts before they are too worn, and damage occurs.

**Full Assembly**



### Blade Assembly



Item number	Part number	Description	Quantity per machine
1	AW_GP_RS_14	Hardox/Rubber Wear Strip	1
2	M24 x 60_14	Hardox/Rubber Strip Bolt	11
3	M24 Flat Washer_14	Hardox/Rubber Strip Washer	22
4	M24 Nyloc Nut	Hardox/Rubber strip Nut	11

### **WEARING PARTS**

If relevant, replace wearing parts before excessive wear causes poor performance and damage. Parts can be obtained through Agriweld Ltd directly or through your local dealer.

#### **Acquiring spare parts**

Please quote the details on the type plate(s) as well as the product's serial no. on every order for spare parts or accessories, or enquiries of a technical nature.

*The use of spare parts supplied by others shall only be permitted after consultation with the manufacturer. Original spare parts and accessories authorised by the manufacturer ensure safe and reliable operation. The use of other parts may invalidate the liability of the manufacturer for any consequences arising from such use.*

#### **Disposing of replaced parts**

The following points should be observed before replacing or disposing of parts, if relevant.

- Replaced parts, which still function, should be cleaned and stored in an orderly manner.
- Product parts, which cannot be repaired should only be disposed of at appropriate collecting points or be collected by a scrap metal dealer.
- So-called "valuable" materials should be disposed of in a proper way, i.e. plastics, rubber, scrap metal, etc. should be recycled.
- Collect and dispose of old oil in accordance with the current regulations.

### Changing the Hardox/Rubber wear blade

The Coal/Grain Pusher is fitted with a bolt-on Hardox/Rubber wear blade. When this is worn and requires replacement, please replace the strip with the specifications as follows;

**Hardox Blade**                    **2433mm x 150mm x 20mm c/w bolt holes**

**11 No.**                                **M24 x 60mm bolts, BZP HT min 8.8 Grade**

**11 No.**                                **M24 Nylock nuts BZP HT min 8.8 Grade**

**22 No.**                                **M24 Washers BZP**

OR

**Rubber Blade**                    **2433mm x 150mm x 25mm c/w bolt holes**

**11 No.**                                **M24 x 60mm bolts, BZP HT min 8.8 Grade**

**11 No.**                                **M24 Nylock nuts BZP HT min 8.8 Grade**

**22 No.**                                **M24 Washers BZP**

Remove all 11 - M24 x 60mm bolts, all washers and nyloc nuts from the wear blade that hold the plate to the main blade. Discard ALL Nyloc nuts and any damaged bolts/washers. ALL new Nyloc nuts will be required after removal.

*As a minimum, **ALL of the M24 NYLOC NUTS will require replacement** to maintain the correct function of the nut, however, we recommend using ALL new fasteners when replacing the wear blade.*

**Position the new wear blade and secure using the 11 x M24 x 60 bolts, and 22 washers. Washers are fitted 1 each side of the wear blade at the bolt head side and Nyloc nut side. Fit all 11 Nyloc nuts and tighten securely.**

See Blade Assembly diagram.

You MUST re-fit all 11 sets of fixings in full. If you are missing any DO NOT USE the implement until ALL bolts, washers and Nyloc nuts are re-fitted to prevent functional and safety issues. Damage may occur to the new wear strip and Coal Pusher main blade if the wear blade is not fitted correctly.

Always quote the product serial number when ordering replacement parts.

Once you are happy that all fixings are in situ correctly, you may proceed to use the pusher.

If you require assistance in regard to any aspect of this procedure, or the pusher in general, please contact technical support at Agriweld quoting the product serial number.

## Tubular Coal Pusher Risk Assessment - May 2023

**Date risk assessment completed:** May 2023 – Next due for review May 2024 or sooner if any model changes made.

**Organisation name:** Agriweld Ltd

**Created by:** Dawn Foster

**MACHINERY TYPE:** Tubular Coal Pusher 5m reach and over.

**Description:** Material pusher to fit telehandler or articulated loader type handler via quick-hitch brackets

<i>What are the hazards?</i>	<i>Who might be harmed and how?</i>	<i>Risk evaluation Levels 1-5 (1 = Low risk, 5 = High risk)</i>	<i>Precautions in place</i>	<i>Further action required/notes?</i>
Use by inexperienced operators.	Operator, bystanders and property	3	Operator manual states that only trained and *experienced personnel with the appropriate license are authorised to operate this attachment.	Definition of *experienced operator is included in the manual
Entanglement/trapping/crushing during connection /disconnection to loader or during use	Operator/bystanders if standing between pusher and forklift, entanglement if wearing loose fitting clothes etc and crushing of bystanders through inexperienced user or allowing bystanders to get in proximity	3	Operators must be *experienced and hold appropriate license to use. Note in operator's manual about being aware of wandering individuals, particularly children see section "Qualifications and training"  Operator manual states that persons undergoing training or instruction are NOT allowed to use the attachment.  Operator manual provides instruction on safe connection of the grain pusher to the forklift.  Risk noted in section "Qualifications and training" of operator manual: Never allow any	







<i>What are the hazards?</i>	<i>Who might be harmed and how?</i>	<i>Risk evaluation Levels 1-5 (1 = Low risk, 5 = High risk)</i>	<i>Precautions in place</i>	<i>Further action required/notes?</i>
			<p>person to stand between the forklift/loader and the attachment during connection/at any time.</p> <p>Notice about not wearing loose fitting clothes in section Further Safety of operator's manual.</p> <p>Operator advised to be aware of bystanders in proximity.</p>	
Risk of overloading pusher	Operator/bystanders & risk of damage to equipment/property	2	<p>Pusher blade is designed not to 'hold' product and just to heap it. Important maintenance and safety section of operator manual states Do not overload the pusher blade at any time to prevent damage &amp; potential injury. Experienced operators need to use pusher according to capacity and machine capabilities. Operators advised NOT to overload the blade and to push grain in smaller quantities more frequently to achieve same result.</p>	Ensure the details in the operator manual are clear and that it lists the materials the pusher is designed to be used for.
Impact by collision and crushing	Bystanders/other traffic or property, as visibility is lower and manoeuvrability clumsy when pusher attached to front of forklift/loader	3	<p>Notice to remind operator to watch out for wandering individuals and ensure operator is working in an area clear of obstructions in section "Further Safety" of operator's manual.</p> <p>Operator manual states all operators must have experience and hold appropriate license to use attachment when attached to a forklift/loader. <u>Operator's</u> to alter driving speed/characteristics according to surroundings and be alert when pusher attached to forklift/loader for potential hazards, see section "Special Safety Instructions" of operator's manual</p>	

<i>What are the hazards?</i>	<i>Who might be harmed and how?</i>	<i>Risk evaluation Levels 1-5 (1 = Low risk, 5 = High risk)</i>	<i>Precautions in place</i>	<i>Further action required/notes?</i>
Injury from working/standing under suspended load when in use	Bystanders and colleagues	2	General Health & Safety always stipulates to never work under suspended load. Warning in section "Safety First" of operator's manual regarding this. Driver/operator to hold appropriate license and should be aware of wandering individuals, see section " <u>Qualifications and training</u> " for note of this.	Operator manual states it is prohibited to work under a suspended load.
Noise	Operator/bystanders	2	A standard rubber blade, which assists in reducing noise from use is replaced by a <u>Hardox</u> wear blade on this type of pusher and therefore this generates more noise when in use.	Operator manual states that PPE must be worn if required including hearing protection.
Injury or damage to public, property and or vehicles	Third party property and individuals	2	Operator manual states that only experienced and suitably qualified persons should use this equipment. Operator manual states that operators must be aware of their responsibilities regards to observing traffic regulations and that the implement must NOT be transported on public roads whilst attached to the forklift or loader. If the implement has to be moved by public road, it must be moved using a wagon or trailer.	Operator manual also states for operators to consider the size of any attachments mounted to the forklift/loader and be aware of the sideways forces acting on the machine when turning and negotiating corners. Always ensure adequate all-round visibility.
Failure or damage to the implement by making unauthorised modifications or using non-authorised spare parts	Faults or damage to the implement which could result in injury to operator or bystanders	1	In the section " <u>Qualifications and training</u> " in the operator manual it states: Any conversions or modifications to the machine may only be carried out after prior consultation and written confirmation from Agriweld and the use of spare parts, accessories and ancillary equipment not supplied or approved by Agriweld could have detrimental effects to the construction or functions of the Agriweld Grain Pusher. Agriweld shall not be responsible for any damage caused by <u>the use of spare parts or accessories</u>	

<i>What are the hazards?</i>	<i>Who might be harmed and how?</i>	<i>Risk evaluation Levels 1-5 (1 = Low risk, 5 = High risk)</i>	<i>Precautions in place</i>	<i>Further action required/notes?</i>
			and ancillary equipment not supplied or approved by Agriweld. Operator manual states that only experienced and suitably qualified persons should use this equipment.	
Failure due to <u>non maintenance</u>	Operator & bystanders	2	Operator manual lists the pre-use checks designed to help the operator notice any damage prior to use. Operator manual states that Only trained and/or <b>*experienced</b> personnel only may execute maintenance activities. General <u>do's</u> and don'ts list activities to minimise damage and aid trouble free operation.	

### Stickers

Sticker	Part number	Description	Quantity per Machine
	AW_GP_AS (185 mm x 85mm)	Agriweld Sticker	3
	AW_GP_GB (85mm x 50mm)	Great Britain Sticker	3
	AW_180_OM	Read operator manual sticker	1
	Serial Plate (76mmx51mm)	Serial Plate	1

### **Manufacturer's Warranty/Guarantee**

Your Agriweld material pusher is covered for a period of 12 months from the date of dispatch (which is recorded on our files) against faulty components and/or bad workmanship.

***Guarantees for overseas orders will begin when the product reaches its delivery destination as advised on the delivery/collection paperwork. We ask that you register this date with us to activate the products 12 months manufacturer's warranty. If you do not notify us of this date we will use the date notified to us as delivered by our haulier.***

Our welders are coded to ISO 9606-1 and our welding procedures are approved in accordance with ISO 15614-1 to manufacture your equipment. All products are checked for quality prior to delivery/collection.

Agriweld Ltd accepts no liability for instances arising from ignorance, occurrences outside our control, such as accidents or malicious damage and through non-compliance with safety/maintenance instructions and/or by failure to set up the hydraulic reset system (if applicable) in accordance to the ground conditions at the time.

All wearing parts and certain hydraulic fittings/hoses (if relevant) are not covered under warranty. Painted surfaces have limited warranty due to working conditions.

**Please see our standard T's & C's for full details, available on our website [www.agriweld.co.uk](http://www.agriweld.co.uk)**

### **DAMAGES DURING TRANSIT:**

Damage occurred during transit arranged on your behalf by Agriweld Ltd must be reported to Agriweld before signing for the item from the haulier to enable us to enter any claim with them directly. The limit of our liability to undertake repairs to products damaged during transit is dependent on signing for any damaged product upon delivery as "DAMAGED". Thank you

If you have arranged your own collection/haulage and the order has been received damaged, you will need to follow the same procedure as above to report it, however, Agriweld will not be able to enter any claim with a haulier where transport has been arranged by your own methods. Thank you

**CE DECLARATION OF CONFORMITY**

*The equipment which accompanies this declaration is in conformity with EU Directive(s):*

**2006/42/EC Machinery Directive**

Manufacturer Name: Agriweld Ltd

Manufacturer Address: Main Street, Garton-on-the-Wolds, Driffield, YO25 3ET

Product: Tubular material Pusher

Product Options: Heavy duty material pusher  
Rubber or hardox wear blade option

Individual Serial Number:

Individual Product Description:

Supplementary Information: For material of max density:  
1000kg per cubic meter

Date of Last Load Test: N/A

Authorised Signatory on Behalf of Manufacturer: Dawn Foster

Position in Company: Director

Date of Issue:



