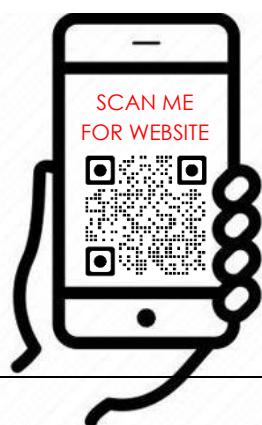


AGRIWELD

OPERATOR MANUAL

Standard Bag Lift

(Fixed and adjustable models)



Agriweld Ltd
Main Street
Garton-on-the-Wolds
Driffield
YO25 3ET

Contents

| | |
|-------------------|--|
| Page 3 | Summary, General Safety, Qualification & Training |
| Page 4 | Further Safety, Risk of Overloading |
| Page 5-6 | Safety |
| Page 6-7 | Operation |
| Page 8-9 | Full Assembly |
| Page 10-11 | Important Maintenance and Safety |
| Page 12-13 | Risk Assessment |
| Page 14 | Product Decals |
| Page 15 | Manufacturer's Warranty |
| Page 16 | Declaration of Conformity |
| Page 17 | Notes |

Summary

The Agriweld Bag Lift is an product used for carrying and transporting 4 x 600kg or 2 x 1000kg fertiliser/feed bags. It is designed to fit any forklift/loader with sufficient lifting capacity, by use of the relevant bracketing which is provided with the product.

It is designed and manufactured by Agriweld in Great Britain.

The identification plate contains the bag lifts max capacity. Please quote the individual product Serial Number with any queries of a technical nature.

General Safety

This manual must be provided to all persons concerned who will be involved with the setting up, operation, maintenance and use of the forklift/loader and the bag lift and must be available at all times.

If important safety instructions are not complied with, it can lead to the risk of injury to yourself and others as well as damage to property and the environment.

Qualifications and Training

Only ***experienced** personnel with the appropriate forklift license is authorised to use this attachment.

Statutory minimum age limits must be observed, and experienced personnel only should perform maintenance work on this product.

Persons undergoing training or instruction or taking part in a general training course should only use this product under direct supervision of an experienced and trained person.

The use of spare parts, accessories and ancillary equipment not supplied or approved by Agriweld could have detrimental effects to the construction or functions of the Agriweld Bag Lift. Agriweld shall not be responsible for any damage caused by the use of spare parts or accessories and ancillary equipment not supplied or approved by Agriweld.

The operator must be aware of their responsibilities with regards to observing traffic regulations. The operator must have the authority to refuse instructions issued by third parties which contravene safety.

Any conversions or modifications to the product may only be carried out after prior consultation and written confirmation from Agriweld.

****Experienced personnel are classed as those persons with appropriate engineering knowledge and training from an approved provider, supplemented with experience of working with this type of activity.***

Further Safety

Any warning signs/instructions on the product provide important information and must be observed.

Ensure that you are familiar with the equipment, forklift controls and functions before starting work.

Check round the product for any noticeable damage, or missing parts before starting work.

It is advisable that the operator wears close fitting clothing to avoid the risk of snagging and trapping.

Ensure that you watch out for wandering individuals (particularly children!).

Always match your speed to the conditions and speed limits imposed.

Remember to take into account the size of any attachments fitted to the forklift/loader and be aware of the sideways forces acting on the product when turning and negotiating corners. Always ensure adequate all round visibility.

PLEASE NOTE: All forklifts and lifting equipment are subject to LOLER inspection/report within 12 months of service from new, by reputable engineers and records kept and maintained.

RISK OF OVERLOADING

It is your responsibility to check the maximum load capacity of your handler and attachment. The handlers max capacity will be reduced by the combined weight and LLC of the attachment and this must be taken into account during use. You must not exceed the recommendations advised by the handler manufacturer and the max capacity of the attachment which can be found on the attachments serial plate.

It is important to ensure any additional weight imposed when the attachment is loaded does not exceed the overall maximum capacity of the attachment or the handler.

Lost Load Centre (LLC): This is specific to each bracket type and is listed on the products SERIAL PLATE

During use, please be aware of increased weights imposed due to shock loading. This includes performing manoeuvres such as driving down a rough field, at some speed, with the product attached and possible loaded with produce. The resulting bouncing effect is known as shock loading and the weights can be significantly magnified to the point of overload.

Special Safety Instructions

Take extra care when hitching up or un-hitching the bag lift to/from the forklift/loader. Be aware of what is under the bag lift (such as someone's feet) before dropping it off.

Ensure that the forklift/loaders hydraulic system is in full working order.

Never allow any person to stand between the forklift/loader and the bag lift during connection or at any time unless the forklift/loader is secured against rolling away by use of a parking brake and/or wheel chocks.

It is forbidden to allow any persons to ride or sit on the bag lift at any time. Observers should maintain a safe distance when product is in use.

When performing any adjustments to the bag lift the forklift/loader engine must be switched off to prevent the hydraulics from operating.

The driving characteristics of the forklift/loader are influenced and altered by the attachment of mounted products, and it is important to ensure adequate steering and braking ability as required.

Safety First

Everyone is responsible for Health and Safety! Please operate your forklift or loader with this product attached in a sensible and safe manner. Be aware of the safety of others at all times.

PRE-USE CHECKS & STORAGE

Before operational use, it is important to inspect the handler and attachment with the recommended pre-use checks to prevent damage or danger.

- Check that the handler and its hydraulic system are in full working order.
- Check all mounting/securing pins are present and do not appear to be worn or missing. Replace as required.
- Physically check all nuts and bolts or other fixings are present and tight. Do not use if any are missing or broken.
- Visually check welds for cracks - this can compromise the strength and operational use of the attachment and may pose a health and safety risk.
- If relevant, check round all hydraulic hose and connections for leaks and damaged hydraulic pipe. Replace as required. Do not attempt to repair hydraulic hose.
- Check for any potential damage to the serial plate as this helps to identify the attachment, its origin of manufacture and will be required to order spare parts if needed.

- Check all ancillary parts are present, in good condition and that none are defective or missing.
- When attachments are to be stored away when not in use, correct storage methods are important in protecting the paintwork. The attachment should be cleaned down thoroughly and stored inside where possible, always detach any other attachments from the Agriweld product when you have finished using them.
- If you need to keep the attachment/product mounted to the forklift/loader/tractor in between use, it is important to ensure the product is lowered to ground level, the vehicle has the hand brake/equivalent and that the engine is tuner off.
- Always store your attachment/product in an area free from obstruction so not to cause hazard to others or damage to the attachment.

Operation

GENERAL DO'S & DON'T'S

After taking note of the recommended safety instructions in this manual, here are a few other recommendations you will need to follow.

1. Ensure that the bag lift is attached to the forklift/loader correctly and any locking pins are located securely.
2. Ensure that the forklift/loaders hydraulic system is in full working order prior to use.
3. Allow time on first use to get used to the forklift/loader with the product attached.
4. Perform visual checks prior to use to look for any damage or missing parts. Do not use until rectified if any are found.
5. Do not overload the bag lift arms. Each arm can carry 2 x 600kg or 1 x 1000kg seed/fertiliser bags.
6. Manoeuvre around at a very slow pace and ensure that there are no spectators within close proximity.
7. It is advised to tilt the bag lift back slightly to prevent the load from sliding off when manoeuvring around with a load attached to prevent the bags sliding off.
8. Never work under a suspended load.

SAFETY FIRST: We are all responsible for Health and Safety so please use this product responsibly.

STORAGE: When not in use, always leave the bag lift stored in an area free from obstruction to prevent obstruction/hazard.

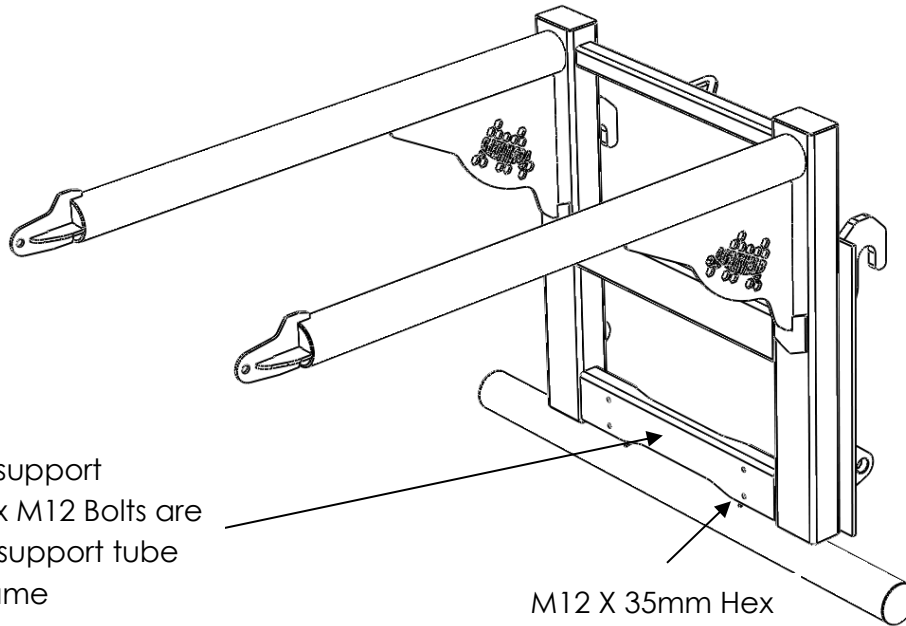
The bag lift will not stand upright when not attached to the loader/forklift and should therefore be leaned over so that the bag lift arms are resting on the ground.

RULES OF CONDUCT FOR GENERAL OPERATION

The following points must always be observed before and during operation:

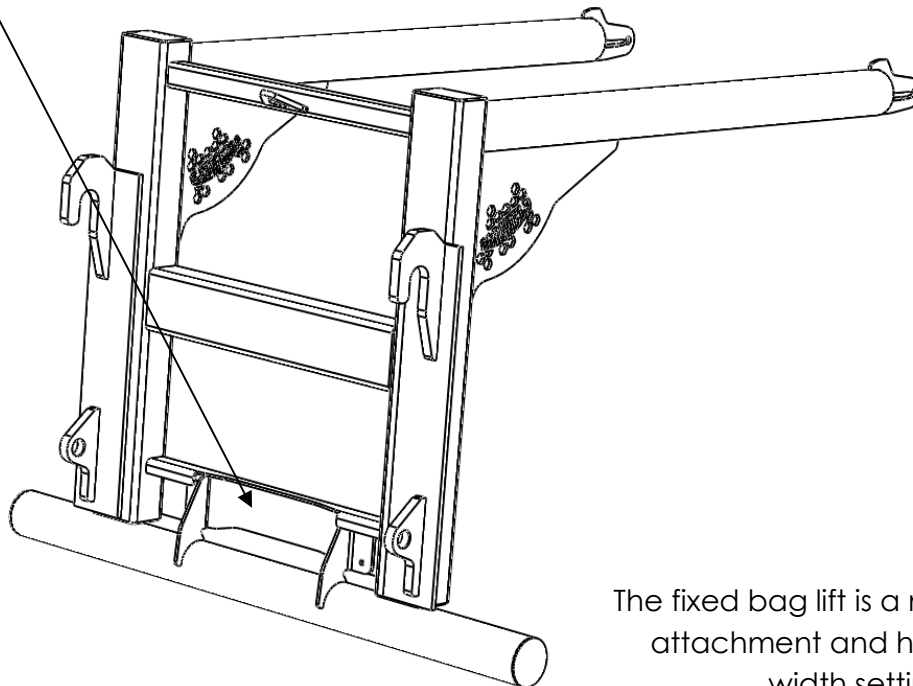
- Read the risk assessment and operator manual thoroughly.
- Only *experienced and trained personnel should use this product
- Never leave the product unattended.
- If applicable, check the product regularly for oil leakage. Replace defective components immediately. The user is responsible for damage to produce caused by oil leakage.
- Check the product for dirt accumulation and clean it on a regular basis.
- If applicable, perform a regular greasing routine. Manually or hydraulically adjustable models will need to be well greased.

Fixed Setting Bag Lift - Full Assembly



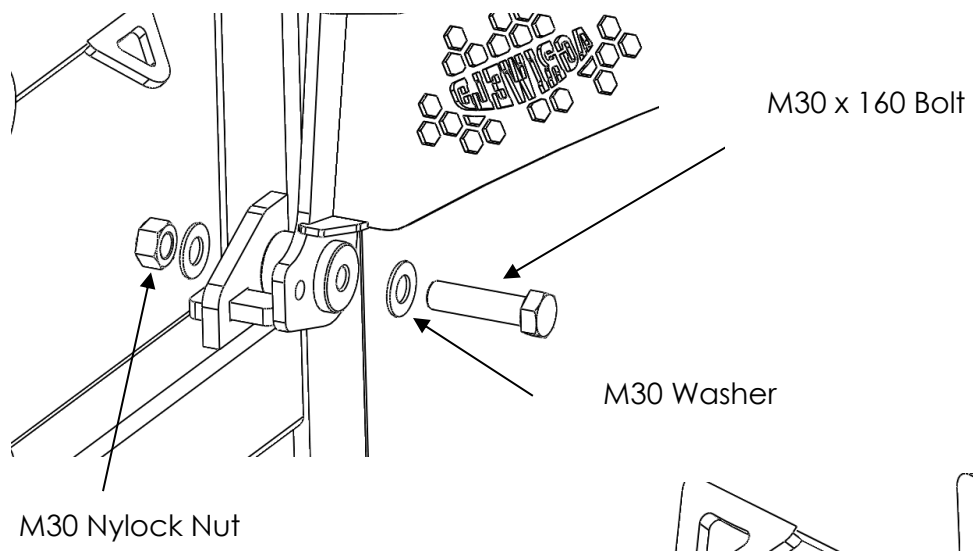
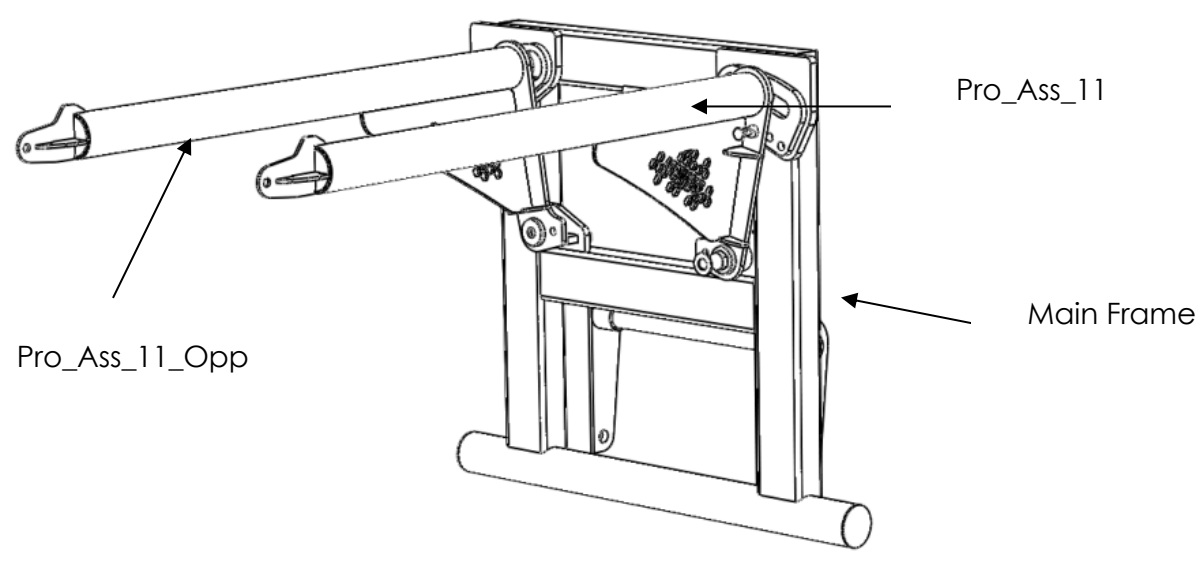
To attach lower support bumper tube, 4 x M12 Bolts are used to bolt the support tube to the bag lift frame

M12 X 35mm Hex Bolts c/w M12 Washers + Nuts
Quantity: 4

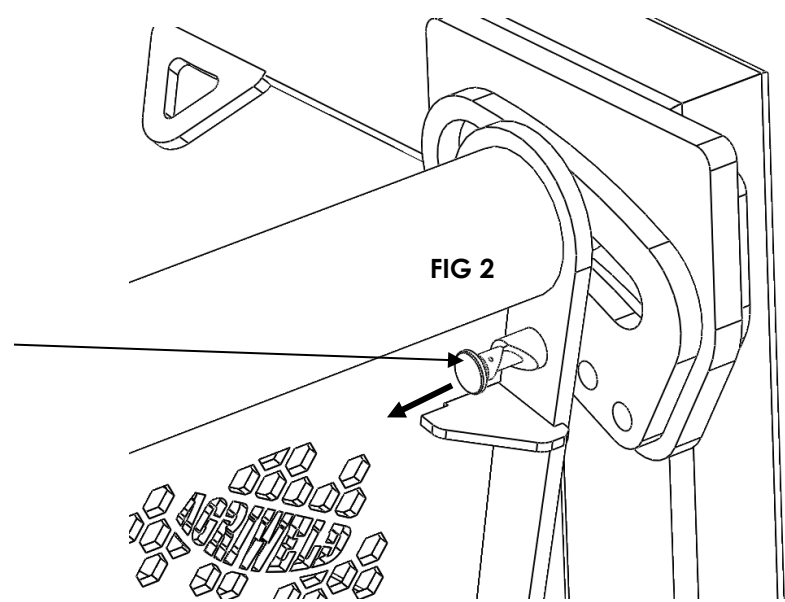


The fixed bag lift is a non-adjustable attachment and has fixed arm width settings.

Manually Adjustable Bag Lift – 3 settings



To adjust arm setting: Pull out locking mechanism as shown in **FIG 2**. Pivot the arm to the left or right until the desired position is achieved. Ensure the locking mechanism is properly secured into the appropriate setting before using the bag lift.



IMPORTANT MAINTENANCE & SAFETY

Regular maintenance is a prerequisite for good operational reliability. The following safety advice is to be observed before starting any maintenance, cleaning or repair work.

Trained or *experienced personnel may only execute maintenance activities.

Inform operating personnel before beginning special operations and maintenance work! Delegate a supervisor!

If necessary, ensure that the maintenance area is adequately secured.

Use suitable tools and wear gloves and appropriate PPE when working on the product!

Switch off the loader completely for maintenance and repair work and ensure that it is protected against inadvertent starting by:

- Locking the principal controls and removing the ignition key and/or
- Detaching the hydraulic supply.

Carry out maintenance and repair work only when the product is positioned on stable and level ground and has been secured against involuntary movement and toppling.

To avoid the risk of accidents, individual parts and larger subassemblies being moved for replacement purposes should be carefully securely attached to lifting tackle. Use only suitable hoisting and lifting gear with adequate load capacity, which is in proper working condition. Never work or stand under suspended loads!

The securing of loads and the instruction of crane operators should only be entrusted to experienced persons. A signaller giving instructions must be within sight of the crane operator or must be provided with a radio link.

For carrying out overhead work, always use specially designed facilities or safe ladders/ platforms. Never climb on the product itself! Wear a safety harness when carrying out maintenance work at greater heights.

Clean the product, especially connections and threaded unions (if relevant), of any traces of oil, fuel or preservatives before carrying out maintenance/repairs! Never use aggressive detergents. Use lint-free cleaning cloths.

Before cleaning the product with water or steam jets (high-pressure cleaners) or other cleaning agents, cover or tape all openings which – for safety and operational reasons – must be protected against ingress of water, steam or cleaning agents (if applicable).

After cleaning, if applicable, examine all fuel, lubricant and hydraulic oil lines for leaks, loose connections, scuffing marks and damage. Any defects found must be rectified without delay.

Always retighten any threaded connections that have been unscrewed during maintenance and repairs.

Any safety devices removed for setting-up, maintenance or repair purposes must be refitted and checked immediately upon completion of the maintenance and repair work and prior to operation.

If applicable replace wearing parts before they are too worn, and damage occurs.

BAG LIFT RISK ASSESSMENT (Fixed & Manually Adjustable Models)

Date risk assessment reviewed: March 2023 Next due for review: March 2024

Organisation name: Agriweld Ltd

Reviewed by Dawn & Ellie

MACHINERY TYPE: Bag lift Fixed & Manual Adjustable Attachment for Forklift/Loader

Description: A Fixed setting or manually adjustable bag lift intended for handling grain/fertiliser, though not confined to this type of product. For use when attached to a forklift/telehandler or tractor loader with a minimum capacity of 2500kg. Models for handling either 2 x 1000kg bags or 4 x 600kg bags (depending upon the model). Maximum lift capacity of bag lift is 2400kgs or lower (depending on the model). Mounting brackets not confined to one particular example.

NOTE: ALL Operators must read and understand the OPERATORS MANUAL & RISK ASSESSMENT before using this Bag Lift
The OPERATORS MANUAL & RISK ASSESSMENT must be readily available for reference when required.

| What are the hazards? | Who might be harmed and how? | Risk evaluation Levels 1-5 (1 = Low risk, 5 = High risk) | Precautions in place | Further action required/notes? |
|---|--|---|--|--|
| Collision when moving bags or moving without bags attached | Bystanders/other equipment & buildings | 2 | Operator manual states the following cautions: Notice to remind operator to watch out for wandering individuals particularly children. All operators must have experience and hold appropriate license to drive the forklift/loader and use this equipment. Advised to take into account size of the bag lift and load when manoeuvring. Use prohibited on the public highway. | Raise/lower the bag lift when loaded with bags to a height where visibility is optimum for manoeuvring. Speed of travel should be adapted to suit conditions and load attached. See safety information in the operator manual. |
| Loss of stability when freestanding and falling over causing crushing/damage to other property. | Operator/Bystanders/ & property | 2 | Bag lift requires laying forwards to be stable when not in use and is detached from the loader. Operator advised to position implement in area free from obstruction. | Operator manual states not to sit/ride on the bag lift at any time and operator needs to be aware of the possibility of children climbing/playing on implements not in use and act accordingly to prevent this. |

| <i>What are the hazards?</i> | <i>Who might be harmed and how?</i> | <i>Risk evaluation Levels 1-5 (1 = Low risk, 5 = High risk)</i> | <i>Precautions in place</i> | <i>Further action required/notes?</i> |
|---|--|---|--|--|
| Trapping/crushing whilst connecting/disconnecting bag lift to forklift/loader | Operator/Bystanders | 2 | Operator does not need to leave the cab during connection/disconnection of bag lift to/from forklift/loader (unless mounting bracket on forklift require a manual locking pin to secure the implement). Risk to bystanders being crushed/trapped between forklift/loader and bale spike during connection/disconnection is small. Note in operator's manual states being aware of wandering individuals, particularly children to prevent this. Operators must be experienced and hold appropriate license to use the implement | Operators to be aware of possible finger trapping hazard on the <u>Spring Loaded Adjustment Mechanism</u> |
| Injury sustained during cutting bags to empty them, if applicable. | Operator | 3 | Certain bags that require manual cutting for product to empty, causes higher risk. Operators prohibited from working under a suspended load and must adapt their methods of cutting the bags to empty them, accordingly. Operators must be aware of the H & S implications of this type of activity in general. Operator manual states to work in an area free from obstructions to minimise risk. | A second person via radio link to driver should be available for full communication of the process. |
| Overloading bag lift/loader | Operator/bystander. Not conforming to maximum safe working load for implement and loaders capacity. | 2 | Individual serial plate and operator manual states maximum load capacity of the implement, which is different for each model. Experienced/trained operators & drivers of the loader will be aware of conforming to safe working loads. Operator manual states not to overload implement. | Operator manual states - if forklift capacity is lower than the implements capacity, the implements capacity is reduced to the same as the capacity of the forklift/loader. |
| Bags swinging during travel when attached to bag lift | Bystanders, operator | 2 | Operator manual states that the operator is required to manoeuvre slowly when bag lift and load attached to prevent swaying and swinging of the loaded bags. | Only experienced users should use the loader with bag lift attached. |
| Bags sliding off the bag lift during use | Bystanders and property | 2 | Operator manual states that only qualified/experienced personnel are allowed to use the forklift/loader & bag lift and should be aware of safe operating procedures. Note in operator manual advises tilting the headstock back slightly to stop the bags sliding forwards during use/travel. Operator manual states to drive at appropriate speed during use. | Design of bag lift supports/arms has a 'lip' or 'fin' to help prevent bags sliding off due to operator error although operator manual states this is not to be relied on during general use and is a fail-safe feature only. |

Stickers

| Sticker | Part number | Description | Quantity per Product |
|---|-----------------------------|------------------------------|----------------------|
|  | AW_BL_AS (185 mm x 85mm) | Agriweld Sticker | 1 |
|  | AW_BL_GB (85mm x 50mm) | Great Britain Sticker | 2 |
|  | AW_LG_SR | Agriweld Sticker | 1 |
|  | AW_180_OM | Read operator manual sticker | 1 |

Manufacturer's Warranty/Guarantee

Your Agriweld bag lift is covered for a period of 12 months from the date of dispatch (which is recorded on our files) against faulty components and/or bad workmanship.

Guarantees for overseas orders will begin when the product reaches its delivery destination as advised on the delivery/collection paperwork. We ask that you register this date with us to active the products 12 months manufacturer's warranty.

Our welders are coded to ISO 9606-1 and our welding procedures are approved in accordance with ISO 15614-1 to manufacture your equipment. All products are checked for quality prior to delivery/collection.

Agriweld Ltd accepts no liability for instances arising from ignorance, occurrences outside our control, such as accidents or malicious damage and through non-compliance with safety/maintenance instructions and/or by failure to set up the hydraulic reset system (if applicable) in accordance to the ground conditions at the time.

All wearing parts and certain hydraulic fittings/hoses are not covered under warranty.

Please see our standard T's & C's for full details, available on our website www.agriweld.co.uk

DAMAGES DURING TRANSIT:

Damage occurred during transit arranged on your behalf by Agriweld Ltd must be reported to Agriweld before signing for the item from the haulier to enable us to enter any claim with them directly. The limit of our liability to undertake repairs to products damaged during transit is dependent on signing for any damaged product upon delivery as "DAMAGED". Thank you

If you have arranged your own collection/haulage and the order has been received damaged, you will need to follow the same procedure as above to report it, however, Agriweld will not be able to enter any claim with a haulier where transport has been arranged by your own methods. Thank you

CE DECLARATION OF CONFORMITY

The equipment which accompanies this declaration is in conformity with EU Directive(s):

2006/42/EC Machinery Directive

Manufacturer Name: Agriweld Ltd

Manufacturer Address: Main Street, Garton-on-the-Wolds, Driffield, YO25 3ET

Product: Twin Bag Lift

Product Options: Fixed and manually adjustable models

Individual Serial Number:

Individual Product Description: Agriweld Bag Lift models used for carrying/transporting
4 x 600kg or 2 x 1000kg fertiliser/feed/seed bags

Date of Last Load Test: N/A

Authorised Signatory on Behalf of Manufacturer: 
Dawn Foster

Position in Company: Director

Date of Issue:

AGRIWELD

Your Notes